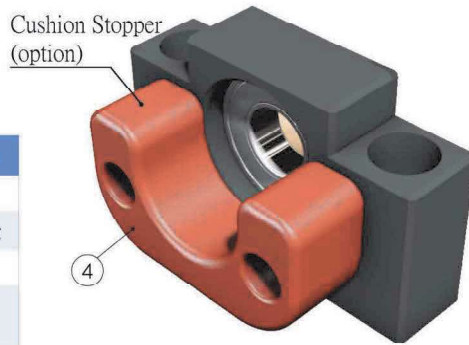


Support Unit AF
(supported-side rectangular type)

No.	Part name	Qty
1	Housing	1
2	Bearing	1 set
3	Snap ring	1
4	Cushion Stopper (option)	1

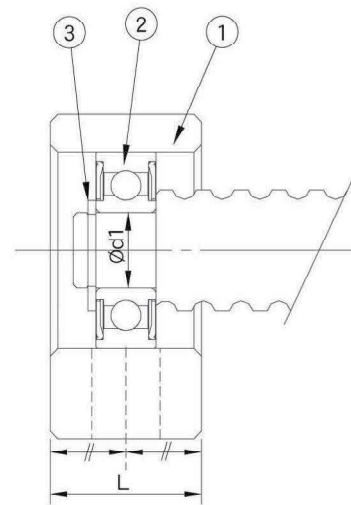
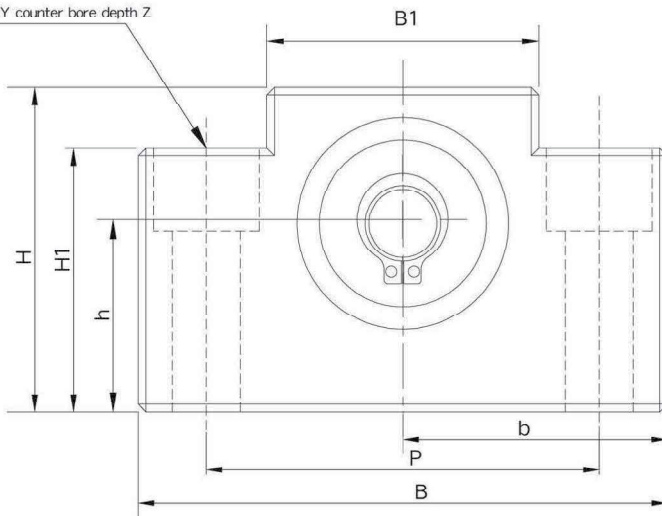


AF10~AF20

AF25

AF


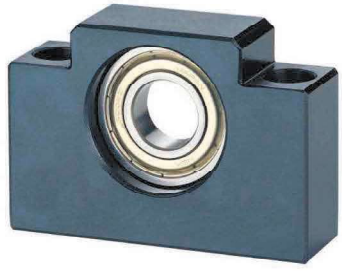
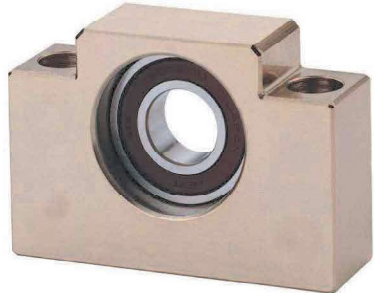

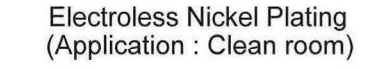
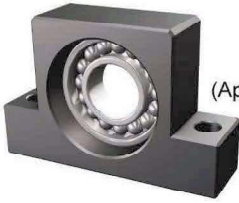
2X drill ϕY counter bore depth Z



Unit : mm

Model No.	Shaft diameter d1	L	B	H	b ± 0.02	h ± 0.02	B1	H1	P	X	Y	Z	Bearing	Snap ring	Weight (Kgs)
AF10	8	20	70	43	35	25	36	35	52	9	14	11	608ZZ	S 08	0.36
AF12	10	20	70	43	35	25	36	35	52	9	14	11	6000ZZ	S 10	0.36
AF15	15	20	80	50	40	30	41	40	60	9	14	11	6002ZZ	S 15	0.44
AF20	20	26	95	58	47.5	30	56	45	75	11	17	15	6204ZZ	S 20	0.73
AF25	25	30	105	68	52.5	35	66	25	85	11	-	-	6205ZZ	S 25	0.95

Support Unit AF (Supported-side rectangular type)

Order Coding	Model No.	Surface treatment	Applicable ballscrew accuracy grade	Bearing	Delivery date 	
AF10_C3	AF10	Black Oxide	C3 ~ C7	608ZZ	EX-STOCK	
AF10_C3N		Electroless Nickel Plating	C3 ~ C7	608VV	3 days	
AF12_C3	AF12	Black Oxide	C3 ~ C7	6000ZZ	EX-STOCK	
AF12_C3N		Electroless Nickel Plating	C3 ~ C7	6000VV	3 days	
AF15_C3	AF15	Black Oxide	C3 ~ C7	6002ZZ	EX-STOCK	
AF15_C3N		Electroless Nickel Plating	C3 ~ C7	6002VV	EX-STOCK	
AF20_C3	AF20	Black Oxide	C3 ~ C7	6204ZZ	EX-STOCK	
AF20_C3N		Electroless Nickel Plating	C3 ~ C7	6204VV	3 days	
AF25_C3	AF25	Black Oxide	C3 ~ C7	6205ZZ	EX-STOCK	
AF25_C3N		Electroless Nickel Plating	C3 ~ C7	6205VV	3 days	

Black Oxide
(Application : General case)

Electroless Nickel Plating
(Application : Clean room)

Black Oxide
(Application : General case)

Electroless Nickel Plating
(Application : Clean room)

Note :

1. It is used double pressed steel cages for Black Oxide type support units .
2. It is used double plastic cages for Electroless Nickel Plating type support units .
3. All of bearings use Japanese & Taiwanese brand bearings.