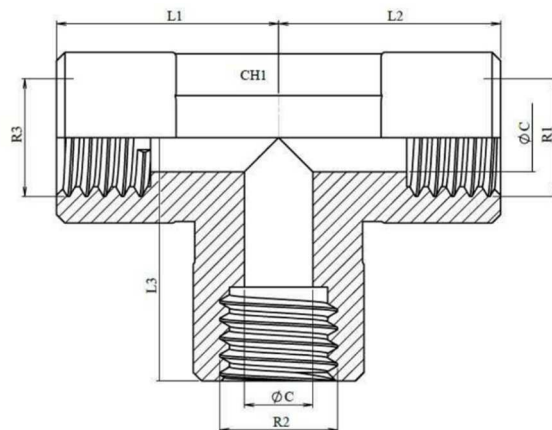
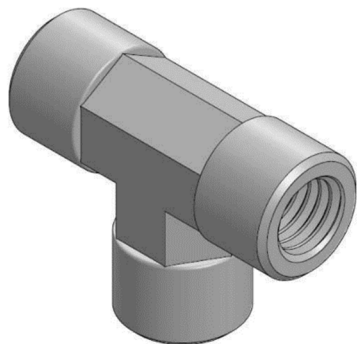


T-idom BBB FIX BSPP-BSPP-BSPP

Tee BSP fixed female forge



R1	R2	R3	L1	L2	L3	CH1	ØC
1/8" BSP	1/8" BSP	1/8" BSP	20	20	20	14	8
1/4" BSP	1/4" BSP	1/4" BSP	22	22	22	17	10
3/8" BSP	3/8" BSP	3/8" BSP	30	30	30	19	12
1/2" BSP	1/2" BSP	1/2" BSP	35	35	35	24	17,5
3/4" BSP	3/4" BSP	3/4" BSP	45	45	45	27	22
1" BSP	1" BSP	1" BSP	47	47	47	41	25
1"1/4 BSP	1"1/4 BSP	1"1/4 BSP	48	48	48	48	39,5
1" 1/2 BSP	1" 1/2 BSP	1" 1/2 BSP	53	53	53	65	32
2" BSP	2" BSP	2" BSP	60	60	60	70	57