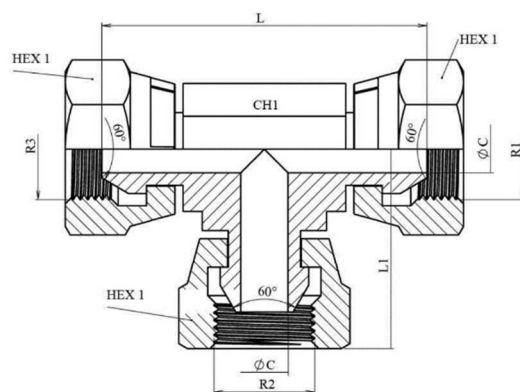
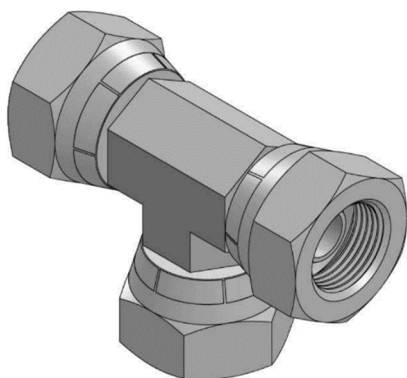


T-idom BBB BSPP-BSPP-BSPP

Tee BSP Swivel female (60°) forge



R1	R2	R3	L	L1	HEX 1	CH1	ØC
1/4" BSP	1/4" BSP	1/4" BSP	40	20	19	14	6
3/8" BSP	3/8" BSP	3/8" BSP	60	30	22	17	8
1/2" BSP	1/2" BSP	1/2" BSP	70	35	27	22	11
3/4" BSP	3/4" BSP	3/4" BSP	88	44	32	27	16
1" BSP	1" BSP	1" BSP	98	49	41	36	22
1" 1/4 BSP	1" 1/4 BSP	1" 1/4 BSP	108	54	50	46	26