

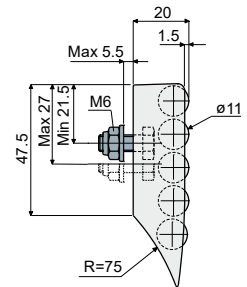
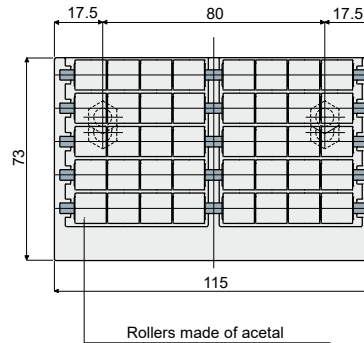
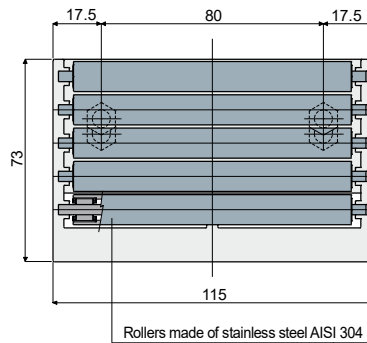
Modular transfer plates

Part. **257**

Modular transfer plates with lip
(width 115 mm 5 rows of rollers)



NEW



Rollers made of acetal	Rollers made of stainless steel AISI 304
Code	Code
257 / 82005	257 / 85004

MATERIALS: Modular transfer plate with external module made of acetal grey colour; rollers made of grey acetal or stainless steel AISI 304; pins and fixing nuts are made of stainless steel AISI 304.

FEATURES: To be assembled at the end of your conveyor to help the products transfer. Easy to assemble, low friction coefficient, minimum noise level, extremely cleanable.

BOX QUANTITY: 8 pieces.

ON REQUEST:

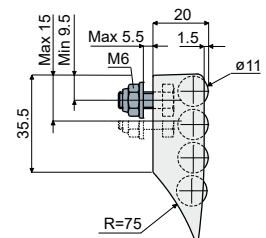
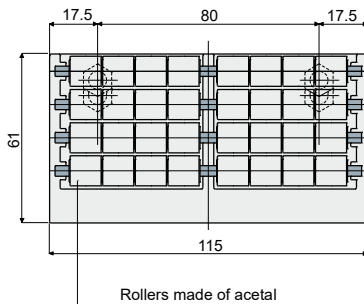
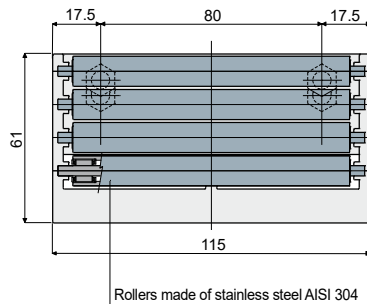
- **External module and rollers:** Can be produced in other colours.
- **Box Quantity:** According to your request.

Part. **417**

Modular transfer plates with lip
(width 115 mm 4 rows of rollers)



NEW



Rollers made of acetal	Rollers made of stainless steel AISI 304
Code	Code
417 / 84576	417 / 85031

MATERIALS: Modular transfer plate with external module made of acetal grey colour; rollers made of grey acetal or stainless steel AISI 304; pins and fixing nuts are made of stainless steel AISI 304.

FEATURES: To be assembled at the end of your conveyor to help the products transfer. Easy to assemble, low friction coefficient, minimum noise level, extremely cleanable.

BOX QUANTITY: 8 pieces.

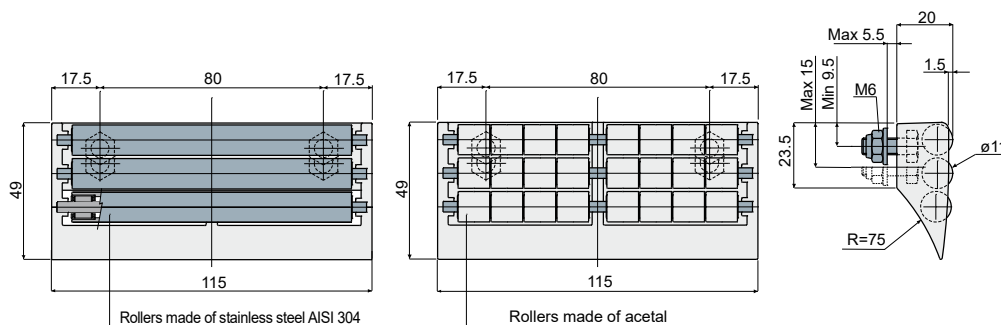
ON REQUEST:

- **External module and rollers:** Can be produced in other colours.
- **Box Quantity:** According to your request.

Modular transfer plates

Modular transfer plates with lip (width 115 mm 3 rows of rollers)

Part. **258**



Rollers made of acetal	Rollers made of stainless steel AISI 304
Code	Code
258 / 82004	258 / 85003

MATERIALS: Modular transfer plate with external module made of acetal grey colour; rollers made of grey acetal or stainless steel AISI 304; pins and fixing nuts are made of stainless steel AISI 304.

FEATURES: To be assembled at the end of your conveyor to help the products transfer. Easy to assemble, low friction coefficient, minimum noise level, extremely cleanable.

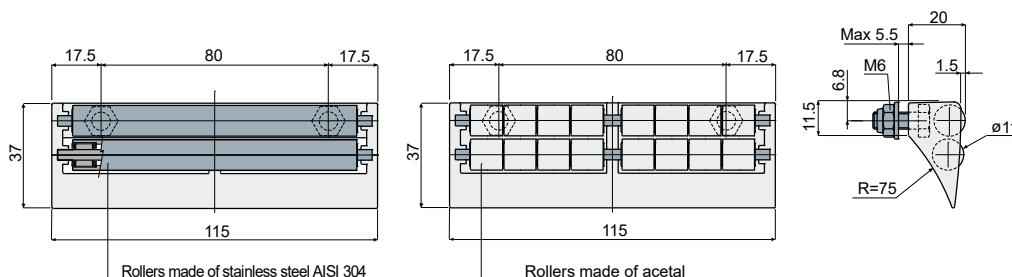
BOX QUANTITY: 8 pieces.

ON REQUEST:

- **External module and rollers:** Can be produced in other colours.
- **Box Quantity:** According to your request.

Modular transfer plates with lip (width 115 mm 2 rows of rollers)

Part. **259**



Rollers made of acetal	Rollers made of stainless steel AISI 304
Code	Code
259 / 82003	259 / 85002

MATERIALS: Modular transfer plate with external module made of acetal grey colour; rollers made of grey acetal or stainless steel AISI 304; pins and fixing nuts are made of stainless steel AISI 304.

FEATURES: To be assembled at the end of your conveyor to help the products transfer. Easy to assemble, low friction coefficient, minimum noise level, extremely cleanable.

BOX QUANTITY: 8 pieces.

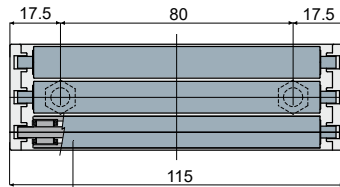
ON REQUEST:

- **External module and rollers:** Can be produced in other colours.
- **Box Quantity:** According to your request.

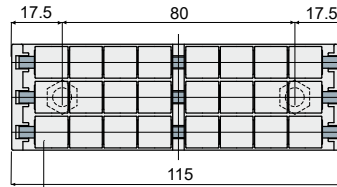
Modular transfer plates

Part. 430 Modular transfer plates without lip (width 115 mm 3 rows of rollers)

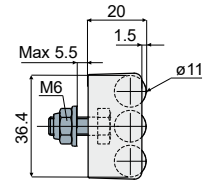
NEW



Rollers made of stainless steel AISI 304



Rollers made of acetal



Rollers made of acetal	Rollers made of stainless steel AISI 304
Code	Code
430 / 85084	430 / 85080

MATERIALS: Modular transfer plate with external module made of acetal grey colour; rollers made of grey acetal or stainless steel AISI 304; pins and fixing nuts are made of stainless steel AISI 304.

FEATURES: To be assembled at the end of your conveyor to help the products transfer. Easy to assemble, low friction coefficient, minimum noise level, extremely cleanable.

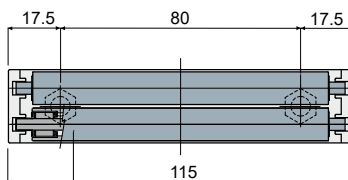
BOX QUANTITY: 8 pieces.

ON REQUEST:

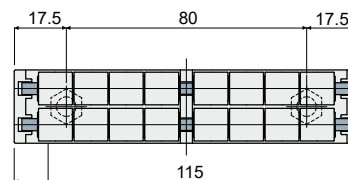
- External module and rollers: Can be produced in other colours.
- Box Quantity: According to your request.

Part. 431 Modular transfer plates without lip (width 115 mm 2 rows of rollers)

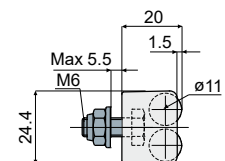
NEW



Rollers made of stainless steel AISI 304



Rollers made of acetal



Rollers made of acetal	Rollers made of stainless steel AISI 304
Code	Code
431 / 85085	431 / 85081

MATERIALS: Modular transfer plate with external module made of acetal grey colour; rollers made of grey acetal or stainless steel AISI 304; pins and fixing nuts are made of stainless steel AISI 304.

FEATURES: To be assembled at the end of your conveyor to help the products transfer. Easy to assemble, low friction coefficient, minimum noise level, extremely cleanable.

BOX QUANTITY: 8 pieces.

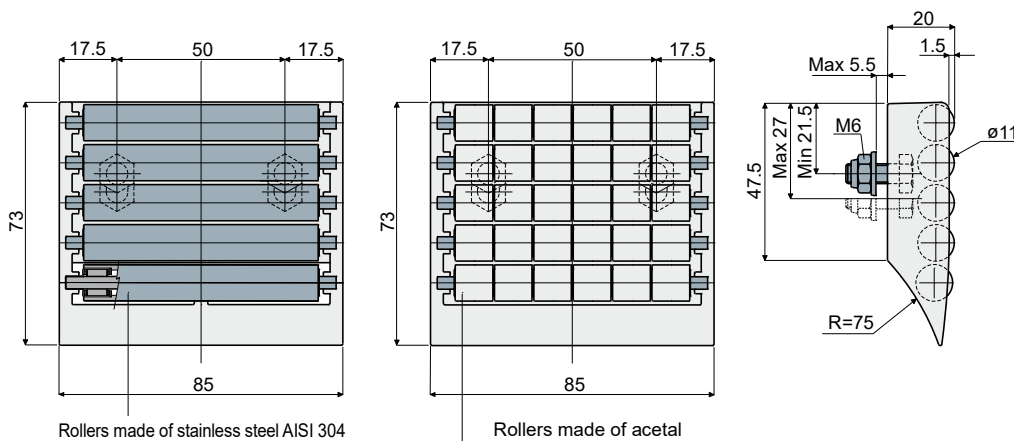
ON REQUEST:

- External module and rollers: Can be produced in other colours.
- Box Quantity: According to your request.

Modular transfer plates

Modular transfer plates with lip (width 85 mm 5 rows of rollers)

Part. **260**



Rollers made of acetal	Rollers made of stainless steel AISI 304
Code	Code
260 / 82002	260 / 85007

MATERIALS: Modular transfer plate with external module made of acetal grey colour; rollers made of grey acetal or stainless steel AISI 304; pins and fixing nuts are made of stainless steel AISI 304.

FEATURES: To be assembled at the end of your conveyor to help the products transfer. Easy to assemble, low friction coefficient, minimum noise level, extremely cleanable.

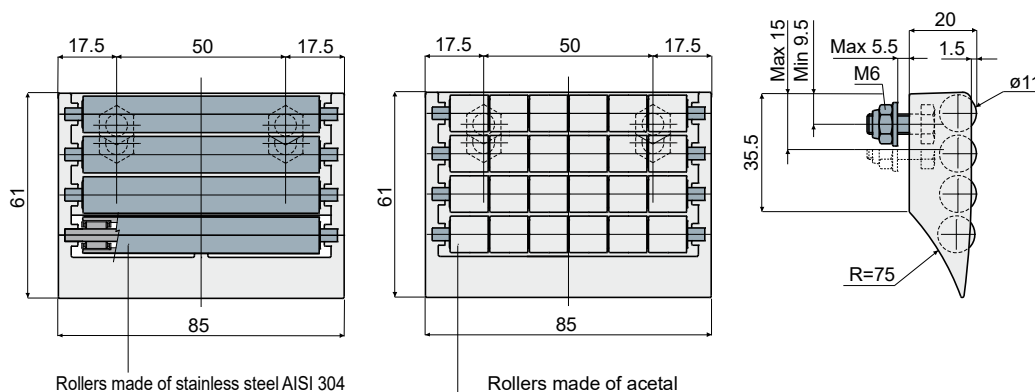
BOX QUANTITY: 8 pieces.

ON REQUEST:

- **External module and rollers:** Can be produced in other colours.
- **Box Quantity:** According to your request.

Modular transfer plates with lip (width 85 mm 4 rows of rollers)

Part. **416**



Rollers made of acetal	Rollers made of stainless steel AISI 304
Code	Code
416 / 84575	416 / 85032

MATERIALS: Modular transfer plate with external module made of acetal grey colour; rollers made of grey acetal or stainless steel AISI 304; pins and fixing nuts are made of stainless steel AISI 304.

FEATURES: To be assembled at the end of your conveyor to help the products transfer. Easy to assemble, low friction coefficient, minimum noise level, extremely cleanable.

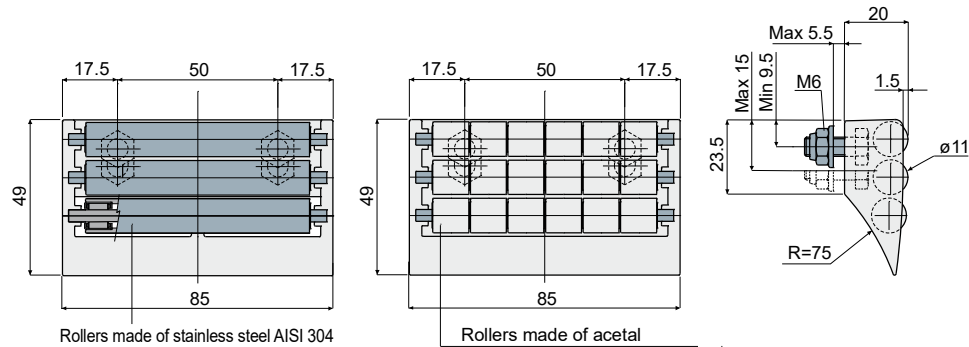
BOX QUANTITY: 8 pieces.

ON REQUEST:

- **External module and rollers:** Can be produced in other colours.
- **Box Quantity:** According to your request.

Modular transfer plates

Part. 261 Modular transfer plates with lip (width 85 mm 3 rows of rollers)



Rollers made of acetal	Rollers made of stainless steel AISI 304
Code	Code
261 / 82001	261 / 85006

MATERIALS: Modular transfer plate with external module made of acetal grey colour; rollers made of grey acetal or stainless steel AISI 304; pins and fixing nuts are made of stainless steel AISI 304.

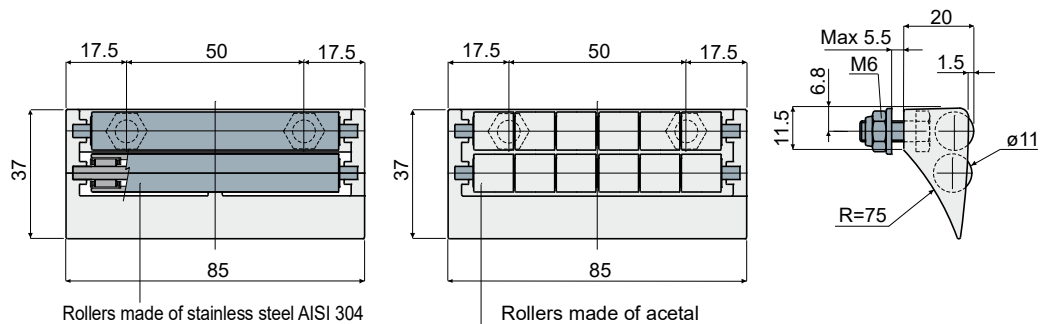
FEATURES: To be assembled at the end of your conveyor to help the products transfer. Easy to assemble, low friction coefficient, minimum noise level, extremely cleanable.

BOX QUANTITY: 8 pieces.

ON REQUEST:

- External module and rollers: Can be produced in other colours.
- Box Quantity: According to your request.

Part. 262 Modular transfer plates with lip (width 85 mm 2 rows of rollers)



Rollers made of acetal	Rollers made of stainless steel AISI 304
Code	Code
262 / 82000	262 / 85005

MATERIALS: Modular transfer plate with external module made of acetal grey colour; rollers made of grey acetal or stainless steel AISI 304; pins and fixing nuts are made of stainless steel AISI 304.

FEATURES: To be assembled at the end of your conveyor to help the products transfer. Easy to assemble, low friction coefficient, minimum noise level, extremely cleanable.

BOX QUANTITY: 8 pieces.

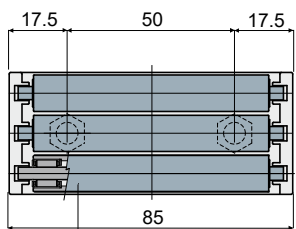
ON REQUEST:

- External module and rollers: Can be produced in other colours.
- Box Quantity: According to your request.

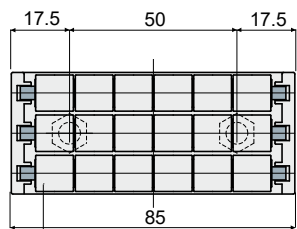
Modular transfer plates

Modular transfer plates without lip (width 85 mm 3 rows of rollers)

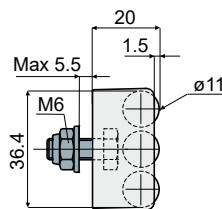
Part. **432**



Rollers made of stainless steel AISI 304



Rollers made of acetal



Rollers made of acetal	Rollers made of stainless steel AISI 304
Code	Code
432 / 85086	432 / 85082

MATERIALS: Modular transfer plate with external module made of acetal grey colour; rollers made of grey acetal or stainless steel AISI 304; pins and fixing nuts are made of stainless steel AISI 304.

FEATURES: To be assembled at the end of your conveyor to help the products transfer. Easy to assemble, low friction coefficient, minimum noise level, extremely cleanable.

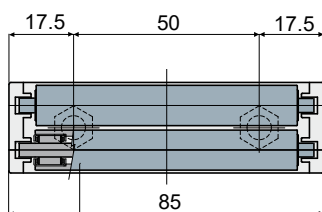
BOX QUANTITY: 8 pieces.

ON REQUEST:

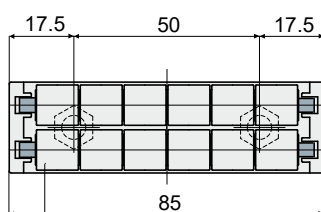
- External module and rollers: Can be produced in other colours.
- Box Quantity: According to your request.

Modular transfer plates without lip (width 85 mm 2 rows of rollers)

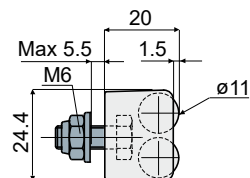
Part. **433**



Rollers made of stainless steel AISI 304



Rollers made of acetal



Rollers made of acetal	Rollers made of stainless steel AISI 304
Code	Code
433 / 85087	433 / 85083

MATERIALS: Modular transfer plate with external module made of acetal grey colour; rollers made of grey acetal or stainless steel AISI 304; pins and fixing nuts are made of stainless steel AISI 304.

FEATURES: To be assembled at the end of your conveyor to help the products transfer. Easy to assemble, low friction coefficient, minimum noise level, extremely cleanable.

BOX QUANTITY: 8 pieces.

ON REQUEST:

- External module and rollers: Can be produced in other colours.
- Box Quantity: According to your request.