



AGRO POWER

Application guide



Edition 1/2013

HIGH-TECH MACHINES REQUIRE HIGH-TECH DRIVE TECHNOLOGY

The company OPTIBELT has been manufacturing drive belts in the most diverse designs since 1948 – based on over one hundred years of experience in rubber processing. Due to constant investments in material research and production technology as well as to the increasing knowledge about the basic conditions which are linked to the various application areas, the performance limits of machines have been shifted via the advancement of the belts to the high-tech drive elements of today.

OPTIBELT AGRO POWER Quality belts made by OPTIBELT

Bigger, faster, further – extraordinary top performances have always fascinated people in all areas of technology. Again and again, engineers, scientists and researchers are going beyond the limits of feasibility.

However, what is it that drives us to develop something unique?

Why do we always want to be one step ahead of competition?

Our motivation lies in passion and precision. Brand-name products by OPTIBELT are an active investment protection for you.

As our drive belts stay invisible in your products, we add what is often missing elsewhere: responsibility and quality.

Day by day, we set examples with our top products, the OPTIBELT AGRO POWER series, and make sure that the best solution is implemented for every application. Everywhere around the world.

Passion
meets
precision



HOW WE GET OUR DRIVE

OPTIBELT is characterised by this passion for technology.

Every employee adds her/his special knowledge, enthusiasm, visions and initiatives for technological advance on the highest level. That you can be sure of!

No machines without drive technology. If you imagine the modern world without drive technology, there would not be much left operating. Without drive technology machines would be unthinkable. Drive technology makes sure that the primary power of an engine is transformed for diverse working processes and thus made usable. Here, it is most important that the power of the engine is adapted to the process with help of the functional elements.

First and foremost, the belts are the central and most efficient element of it all. They stretch almost all shaft distances at comparably low costs and low maintenance. And they achieve this without lubrication or guidance elements.

Thus, drive technology with belts is far superior to roller chain drives or spur wheel sections. The diverse application areas, their adaptability and economy have made belt drives become an essential part of mechanical engineering in all sectors.

HOW WE FOSTER OUR COMPANY VALUES

Internationally, OPTIBELT is highly estimated and represents excellent brand quality – made in Germany.

This rating is not least the result of our believe, as a family-run company, in our roots in Höxter and thus, in the location Germany.

In addition to that, the company history of OPTIBELT is closely linked with groundbreaking technical developments: from industrialisation to the automated world.

OPTIBELT has faced each of these milestones with clear sight and pioneer spirit.

This interaction of tradition and innovativeness characterises the key values of our company. For over 140 years now.

We are keeping our company philosophy even as a modern company: in our international distribution companies as well as in our production and service companies. Here, the training and further education is the key factor for the consistent quality that you can always expect from our products. Your advantage: We exceed the standards of our competitors by far and meet requirements such as just-in-time production, on-stock availability, customer proximity, support and flexibility with ease and commitment.

Because your drive drives us!



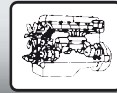
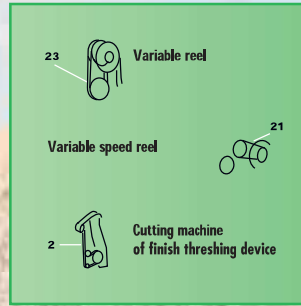
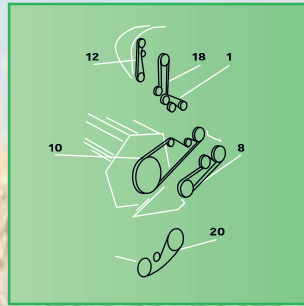
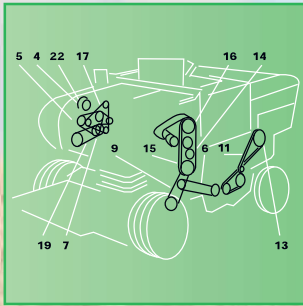
MASSEY FERGUSON

24					
5		41958500	1	1000859	4014486472936
9		41955900	1	1000704	4014486470888
13		41935700	1	1003447	4014486465464
14		41988700	1	1003562	4014486473452
15		41926300	1	1000230	4014486463187
16		41930300	1	1003426	4014486464092
27					
8		41934800	3	1002768	4014486465228
10		41929000	1	1000251	4014486463897
10		D41929000	1	1000251	4014486463897
14		41936200	2	1002770	4014486465648
29					
8		41934800	3	1002768	4014486465228
14		41936200	2	1002770	4014486465648
31					
8		41934800	3	1002768	4014486465228
14		41936200	2	1002770	4014486465648
187					
1	TABLE FEEDER DRUM	1724154M1	1	1000647	4014486470079
1	TABLE FEEDER DRUM	417974M1	1	1000651	4014486470116
2	TANK UNLOADER DRIVE	621259M1	1	1000547	4014486468311
3	FANNING MILL (UPPER)	621261M1	1	1000284	4014486464641
4	HYDRAULIC PUMP DRIVE	417468M1	1	1003397	4014486462821
5	BEATER / THRESHER CONTROL	418232M1	1	No AP	
6	FANNING MILL	1721710M1	1	1002096	4014486475890
7	STRAW WALKER SHAKER	621258M1	1	1000346	4014486465983
8	TRACTION (UPPER)	905921M1	1	1004743	4014486720303
9	TRACTION (LOWER)	905920M1	1	1001450	4014486459586
10	REDUCER	417972M1	1	1000885	4014486473261
12	KNIFE - BLADE CONTROL	1722835M1	1	1003502	4014486469097
12	KNIFE DRIVE	402607M1	1	1003515	4014486469653
15	FANNING MILL	621262M1	1	1003334	4014486462586
16	VENTILATOR	621262M1	1	1003334	4014486462586
19	OUTLET	418192M1	1	1000547	4014486468311
206					
1	TABLE FEEDER DRUM	1724154M1	1	1000647	4014486470079
3	FANNING MILL (UPPER)	621261M1	1	1000284	4014486464641
5	BEATER / THRESHER	418232M1	1	No AP	
6	FANNING MILL	1721710M1	1	1002096	4014486475890
7	SHAKER STRAW	621258M1	1	1000346	4014486465983
8	TRACTION (UPPER)	905921M1	1	1004743	4014486720303
9	TRACTION (LOWER)	905920M1	1	1001450	4014486459586
10	REDUCER	417972M1	1	1000885	4014486473261
12	KNIFE - BLADE CONTROL	1722835M1	1	1003502	4014486469097
12	KNIFE DRIVE	402607M1	1	1003515	4014486469653
13	FANNING MILL	621262M1	1	1003334	4014486462586
14	VENTILATION (SECONDARY)	621262M1	1	1003334	4014486462586



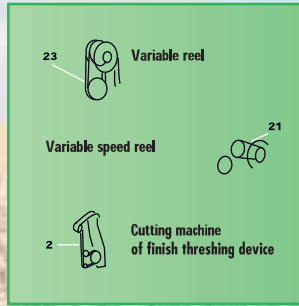
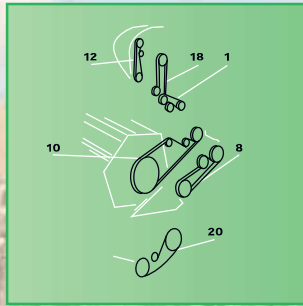
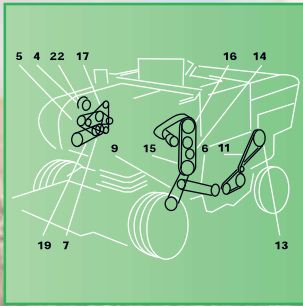
MASSEY FERGUSON

240					
1	TABLE FEEDER DRUM	1724154M1	1	1000647	4014486470079
3	FANNING MILL (UPPER)	621261M1	1	1000284	4014486464641
5	BEATER DRIVE	418232M1	1	No AP	
7	STRAW WALKER SHAKER	621258M1	1	1000346	4014486465983
8	TRACTION (UPPER)	905921M1	1	1004743	4014486720303
9	TRACTION (LOWER)	905920M1	1	1001450	4014486459586
10	REDUCER	417972M1	1	1000885	4014486473261
12	KNIFE DRIVE	1722835M1	1	1003502	4014486469097
12	KNIFE DRIVE	402607M1	1	1003515	4014486469653
12	KNIFE DRIVE	410959M1	1	1003512	4014486469516
13	REEL DRIVE	1604401M1	1	1000370	4014486466331
15	FANNING MILL	621262M1	1	1003334	4014486462586
300					
2	CLEANING FAN DRIVE	832877M1	1	1000232	4014486463262
5	REEL DRIVE VARIABLE SPEED	833768M1	1	1001402	4014486459081
5	REEL DRIVE	834140M1	1	1000734	4014486471281
7	HYDRAULIC PUMP DRIVE	230381M1	1	1003482	4014486468182
8	KNIFE DRIVE	834058M1	1	1000598	4014486469301
8	KNIFE DRIVE	834190M1	1	1000597	4014486469295
10	TRACTION (LOWER) (GRAIN)	832789M3	1	1001442	4014486459500
12	REEL DRIVE COUNTERSHAFT	834139M1	1	1000567	4014486468748
18	TANK UNLOADER DRIVE	832878M1	1	1000596	4014486469257
	AUGER (GRAIN)	227984M1	1	1000731	4014486471250
	AIR CONDITIONING OR CLEAN FAN HIGH SPEED	834492M2	1	1000211	4014486462593
307					
1	TABLE FEEDER DRUM	1724154M1	1	1000647	4014486470079
3	FANNING MILL (UPPER)	621261M1	1	1000284	4014486464641
5	BEATER / THRESHER	1603701M1	1	1001641	4014486485936
5	BEATER / THRESHER	1720255M1	1	1001871	4014486489125
6	FANNING MILL / VARIATOR	621262M1	1	1003334	4014486462586
7	STRAW WALKER SHAKER	621258M1	1	1000346	4014486465983
8	TRACTION (LOWER)	905921M1	1	1004743	4014486720303
9	TRACTION (UPPER)	905920M1	1	1001450	4014486459586
10	CONTROL REDUCER UP TO 8,5 FEET / BAR	417972M1	1	1000885	4014486473261
12	KNIFE WOBBLE DRIVE	1722835M1	1	1003502	4014486469097
12	KNIFE UP TO 8,5 FEET (2,5 M)	402607M1	1	1003515	4014486469653
12	KNIFE FROM 10 FEET (2,2 M)	410959M1	1	1003512	4014486469516
13	REEL DRIVE	1604401M1	1	1000370	4014486466331
15	FANNING MILL	621262M1	1	1003334	4014486462586
400					
1	FANNING MILL	784797M2	1	1000214	4014486462708
3	FANNING MILL (UPPER)	1855008M1	1	1000572	4014486468809
5	HYDRAULIC PUMP DRIVE	832490M1	1	1001277	4014486474435
6	ALTERNATOR DRIVE	893575M1	1	1000060	4014486483802
7	DRIVE	793863M1	1	No AP	
10	RETURN DRIVE	795514M4	1	1000264	4014486464214
10	RETURN DRIVE	832538M1	1	1003431	4014486464313
11	SHAKER SHAFT DRIVE	1615254M1	1	1000765	4014486471687
11	SHAKER SHAFT DRIVE	320593M2	1	1001361	4014486474756
12	ELEVATOR DRIVE GRAIN	784796M2	1	1003546	4014486471243



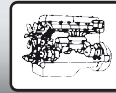
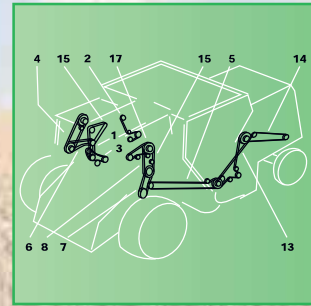
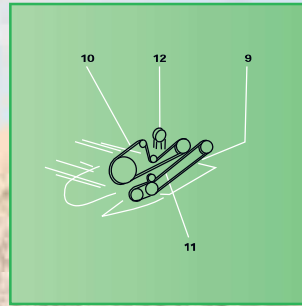
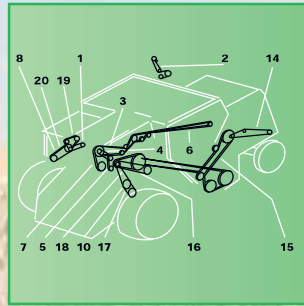
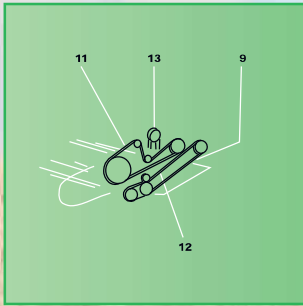
MASSEY FERGUSON

15	REDUCER	789853M1	1	1001403	4014486459098
17	REEL DRIVE	1615333M1	1	1000743	4014486471397
17	REEL DRIVE	785810M1	1	1000378	4014486466416
440					
1	TABLE FEEDER DRUM	621588M1	1	1000668	4014486470352
3	FANNING MILL (UPPER)	621261M1	1	1000284	4014486464641
5	BEATER DRIVE	1720255M1	1	1001871	4014486489125
8	TRACTION (UPPER)	905921M1	1	1004743	4014486720303
9	TRACTION (LOWER)	905920M1	1	1001450	4014486459586
12	KNIFE DRIVE	410959M1	1	1003512	4014486469516
13	REEL DRIVE	1604401M1	1	1000370	4014486466331
15	FANNING MILL	621262M1	1	1003334	4014486462586
487					
2	VENTILATOR	621262M1	1	1003334	4014486462586
5	DEFLECTOR DRUM	1720255M1	1	1001871	4014486489125
6	OUTLET GRAIN	418192M1	1	1000547	4014486468311
7	BAR CONTROL	621588M1	1	1000668	4014486470352
500					
1	FANNING MILL	784797M2	1	1000214	4014486462708
3	FANNING MILL (UPPER)	1855008M1	1	1000572	4014486468809
5	HYDRAULIC PUMP DRIVE	230381M1	1	1003482	4014486468182
6	ALTERNATOR DRIVE	893575M1	1	1000060	4014486483802
7	DRIVE	793863M1	1	No AP	
10	RETURN DRIVE	832538M1	1	1003431	4014486464313
11	SHAKER SHAFT DRIVE	320593M2	1	1001361	4014486474756
12	ELEVATOR DRIVE GRAIN	784796M2	1	1003546	4014486471243
507					
2	VENTILATOR	621262M1	1	1003334	4014486462586
3	VENTILATOR	621261M1	1	1000284	4014486464641
4	STRAW SHAKER	621258M1	1	1000346	4014486465983
5	OUTLET GRAIN	905980M1	1	1001552	4014486484519
6	DEFLECTOR DRUM	1720205M3	1	1001889	4014486489460
7	BLADE CONTROL	410959M1	1	1003512	4014486469516
8	BAR CONTROL	621588M1	1	1000668	4014486470352
9	HYDRAULIC PUMP DRIVE	1720674M2	1	1000220	4014486462838
510					
1	FANNING MILL	784797M2	1	1000214	4014486462708
3	FANNING MILL (UPPER)	1855008M1	1	1000572	4014486468809
5	HYDRAULIC PUMP DRIVE	230381M1	1	1003482	4014486468182
6	ALTERNATOR DRIVE	893575M1	1	1000060	4014486483802
7	DRIVE	793863M1	1	No AP	
10	RETURN DRIVE	795514M4	1	1000264	4014486464214
10	RETURN DRIVE	795582M2	1	1000249	4014486463828
11	SHAKER SHAFT DRIVE	1615254M1	1	1000765	4014486471687
12	ELEVATOR DRIVE GRAIN	784796M2	1	1003546	4014486471243
16	KNIFE DRIVE	785585M3	1	1004096	4014486518696
17	REEL DRIVE	1615254M1	1	1000765	4014486471687
17	REEL DRIVE	1615333M1	1	1000743	4014486471397



MASSEY FERGUSON

515					
1	FANNING MILL	784797M2	1	1000214	4014486462708
3	FANNING MILL (UPPER)	1855008M1	1	1000572	4014486468809
5	HYDRAULIC PUMP DRIVE	230381M1	1	1003482	4014486468182
6	ALTERNATOR DRIVE	893575M1	1	1000060	4014486483802
7	DRIVE	793863M1	1	No AP	
10	RETURN DRIVE	795514M4	1	1000264	4014486464214
10	RETURN DRIVE	795582M2	1	1000249	4014486463828
11	SHAKER SHAFT DRIVE	1615254M1	1	1000765	4014486471687
12	ELEVATOR DRIVE GRAIN	784796M2	1	1003546	4014486471243
16	KNIFE DRIVE	785585M3	1	1004096	4014486518696
17	REEL DRIVE	1615254M1	1	1000765	4014486471687
17	REEL DRIVE	1615333M1	1	1000743	4014486471397
520					
1	FANNING MILL	1616477M1	1	1000211	4014486462593
1	FANNING MILL	784797M2	1	1000214	4014486462708
2	TANK UNLOADER DRIVE	619317M2	1	1000563	4014486468656
3	FANNING MILL (UPPER)	785585M3	1	1004096	4014486518696
3	FANNING MILL (UPPER)	789853M1	1	1001403	4014486459098
6	ALTERNATOR DRIVE	893575M1	1	1000060	4014486483802
7	DRIVE	789967M1	1	1000986	4014486498066
8	MAIN BELT	789930M1	1	1002617	4014486498080
9	MULTI FLOW	784170M2	1	1000425	4014486466881
10	RETURN DRIVE	795514M4	1	1000264	4014486464214
10	RETURN DRIVE	795582M2	1	1000249	4014486463828
11	SHAKER SHAFT DRIVE	1615254M1	1	1000765	4014486471687
12	ELEVATOR DRIVE GRAIN	784796M2	1	1003546	4014486471243
15	REDUCER	789853M1	1	1001403	4014486459098
16	KNIFE DRIVE	785585M3	1	1004096	4014486518696
17	REEL DRIVE	1615333M1	1	1000743	4014486471397
17	REEL DRIVE	785810M1	1	1000378	4014486466416
525					
1	FANNING MILL	1616477M1	1	1000211	4014486462593
1	FANNING MILL	784797M2	1	1000214	4014486462708
2	TANK UNLOADER DRIVE	619317M2	1	1000563	4014486468656
3	FANNING MILL (UPPER)	785585M3	1	1004096	4014486518696
3	FANNING MILL (UPPER)	789853M1	1	1001403	4014486459098
6	ALTERNATOR DRIVE	893575M1	1	1000060	4014486483802
7	DRIVE	789967M1	1	1000986	4014486498066
8	MAIN BELT	789930M1	1	1002617	4014486498080
9	MULTI FLOW	784170M2	1	1000425	4014486466881
10	RETURN DRIVE	795514M4	1	1000264	4014486464214
10	RETURN DRIVE	795582M2	1	1000249	4014486463828
11	SHAKER SHAFT DRIVE	1615254M1	1	1000765	4014486471687
12	ELEVATOR DRIVE GRAIN	784796M2	1	1003546	4014486471243
15	REDUCER	789853M1	1	1001403	4014486459098
16	KNIFE DRIVE	785585M3	1	1004096	4014486518696
17	REEL DRIVE	1615333M1	1	1000743	4014486471397
17	REEL DRIVE	785810M1	1	1000378	4014486466416



MASSEY FERGUSON

530

1	FANNING MILL	784797M2	1	1000214	4014486462708
2	TANK UNLOADER DRIVE	3370141M1	1	1001746	4014486487305
3	FANNING MILL (UPPER)	785585M3	1	1004096	4014486518696
8	MAIN BELT	789930M1	1	1002617	4014486498080
9	MULTI FLOW	795582M2	1	1000249	4014486463828
10	RETURN DRIVE	795514M4	1	1000264	4014486464214
11	SHAKER SHAFT DRIVE	1615254M1	1	1000765	4014486471687
12	ELEVATOR DRIVE GRAIN	784796M2	1	1003546	4014486471243
16	KNIFE DRIVE	1724154M1	1	1000647	4014486470079
17	REEL DRIVE	843313M1	1	1001016	4014486497991

535

1	FANNING MILL	784797M2	1	1000214	4014486462708
2	TANK UNLOADER DRIVE	3370141M1	1	1001746	4014486487305
3	FANNING MILL (UPPER)	785585M3	1	1004096	4014486518696
8	MAIN BELT	789930M1	1	1002617	4014486498080
9	MULTI FLOW	795582M2	1	1000249	4014486463828
10	RETURN DRIVE	795514M4	1	1000264	4014486464214
11	SHAKER SHAFT DRIVE	1615254M1	1	1000765	4014486471687
12	ELEVATOR DRIVE GRAIN	784796M2	1	1003546	4014486471243
16	KNIFE DRIVE	1724154M1	1	1000647	4014486470079
17	REEL DRIVE	843313M1	1	1001016	4014486497991

540

1	AIR CONDITIONING COMPRESSOR DRIVE	843045M1	1	1002543	4014486494723
2	AUXILIARY CYLINDER (SLINGER)	834332M1	1	1000304	4014486465075
3	CHOPPER DRIVE - HIGH SPEED	843760M1	1	1000803	4014486472233
4	CLEANING FAN DRIVE	832877M1	1	1000232	4014486463262
8	AIR INTAKE DRIVE	240575M2	1	1002298	4014486479867
9	KNIFE WOBBLE - FLOATING CUT BAR	833962M1	1	1000673	4014486470444
9	KNIFE WOBBLE - RIGID CUT BAR	834190M1	1	1000597	4014486469295
10	BEATER (REAR)OR STRAW CHOPPER	843747M1	1	1000827	4014486472547
11	REEL DRIVE	834140M1	1	1000734	4014486471281
12	REEL DRIVE COUNTERSHAFT	834139M1	1	1000567	4014486468748
13	REEL DRIVE VARIABLE SPEED	833768M1	1	1001402	4014486459081
16	TANK UNLOADER DRIVE	832878M1	1	1000596	4014486469257
17	TRACTION (LOWER)	843732M2	1	1001443	4014486459517
18	TRACTION (UPPER)	844091M1	1	1001445	4014486459531
19	ALTERNATOR, FAN AND WATERPUMP DRIVE	532779M92	2	1002480	4014486493740
20	HYDRAULIC PUMP DRIVE	230380M1	1	1000541	4014486468236

550

1	CLEANING FAN - COUNTERSHAFT	227457M1	1	1000572	4014486468809
2	AUXILIARY CYLINDER (SLINGER)	834332M1	1	1000304	4014486465075
3	CLEANING FAN DRIVE	227976M1	1	1000214	4014486462708
3	CLEANING FAN - HIGH SPEED	834492M2	1	1000211	4014486462593
5	AUGER (GRAIN)	227984M1	1	1000731	4014486471250
6	HYDRAULIC PUMP DRIVE	843737M1	1	1000216	4014486462777
7	HYDROSTATIC DRIVE (LOWER)	834176M1	1	1003627	4014486488159
8	HYDROSTATIC DRIVE (UPPER)	834175M1	1	1001842	4014486488715
9	KNIFE WOBBLE - FLOATING CUT BAR	833962M1	1	1000673	4014486470444
9	KNIFE WOBBLE - CENTERED CHAIN DRIVE	834058M1	1	1000598	4014486469301
9	KNIFE WOBBLE - RIGID CUT BAR	834190M1	1	1000597	4014486469295



MASSEY FERGUSON

10	REEL DRIVE	834140M1	1	1000734	4014486471281
11	REEL DRIVE COUNTERSHAFT	834139M1	1	1000567	4014486468748
12	REEL DRIVE VARIABLE SPEED	833768M1	1	1001402	4014486459081
13	RETURN AUGER AND WALKER	227986M2	1	1000402	4014486466652
15	TANK UNLOADER DRIVE	228813M3	1	1000543	4014486468250
16	ALTERNATOR, FAN AND WATERPUMP DRIVE	532779M92	2	1002480	4014486493740
	CHOPPER DRIVE	1051235M1	1	1000878	4014486473186
	STRAW CHOPPER CORN KIT - LOW SPEED	842935M1	1	1003482	4014486468182
560					
1	FANNING MILL	3043153M1	1	1001399	4014486459050
1	FANNING MILL	3043154M1	1	1001398	4014486459043
2	TANK UNLOADER DRIVE	3370141M1	1	1001746	4014486487305
3	FANNING MILL (UPPER)	785585M3	1	1004096	4014486518696
5	HYDRAULIC PUMP DRIVE	843313M1	1	1001016	4014486497991
6	ALTERNATOR DRIVE	1687531M1	1	1002558	4014486495034
7	DRIVE	789967M1	1	1000986	4014486498066
8	MAIN BELT	789930M1	1	1002617	4014486498080
8	MAIN BELT	789931M1	1	1002616	4014486498073
10	RETURN DRIVE	795514M4	1	1000264	4014486464214
10	RETURN DRIVE	795582M2	1	1000249	4014486463828
11	SHAKER SHAFT DRIVE	1615254M1	1	1000765	4014486471687
12	ELEVATOR DRIVE GRAIN	784796M2	1	1003546	4014486471243
15	REDUCER	789853M1	1	1001403	4014486459098
16	KNIFE DRIVE	1724154M1	1	1000647	4014486470079
17	REEL DRIVE	843313M1	1	1001016	4014486497991
565					
1	FANNING MILL	3043153M1	1	1001399	4014486459050
1	FANNING MILL	3043154M1	1	1001398	4014486459043
2	TANK UNLOADER DRIVE	3370141M1	1	1001746	4014486487305
3	FANNING MILL (UPPER)	785585M3	1	1004096	4014486518696
5	HYDRAULIC PUMP DRIVE	843313M1	1	1001016	4014486497991
6	ALTERNATOR DRIVE	1687531M1	1	1002558	4014486495034
7	DRIVE	789967M1	1	1000986	4014486498066
8	MAIN BELT	789930M1	1	1002617	4014486498080
8	MAIN BELT	789931M1	1	1002616	4014486498073
10	RETURN DRIVE	795514M4	1	1000264	4014486464214
10	RETURN DRIVE	795582M2	1	1000249	4014486463828
11	SHAKER SHAFT DRIVE	1615254M1	1	1000765	4014486471687
12	ELEVATOR DRIVE GRAIN	784796M2	1	1003546	4014486471243
15	REDUCER	789853M1	1	1001403	4014486459098
16	KNIFE DRIVE	1724154M1	1	1000647	4014486470079
17	REEL DRIVE	843313M1	1	1001016	4014486497991
620					
1	FANNING MILL	1616477M1	1	1000211	4014486462593
1	FANNING MILL	784797M2	1	1000214	4014486462708
2	TANK UNLOADER DRIVE	619317M2	1	1000563	4014486468656
3	FANNING MILL (UPPER)	785585M3	1	1004096	4014486518696
3	FANNING MILL (UPPER)	789853M1	1	1001403	4014486459098
6	ALTERNATOR DRIVE	893575M1	1	1000060	4014486483802
7	DRIVE	789967M1	1	1000986	4014486498066
8	MAIN BELT	789930M1	1	1002617	4014486498080
9	MULTI FLOW	784170M2	1	1000425	4014486466881



MASSEY FERGUSON

10	RETURN DRIVE	795514M4	1	1000264	4014486464214
10	RETURN DRIVE	795582M2	1	1000249	4014486463828
11	SHAKER SHAFT DRIVE	1615254M1	1	1000765	4014486471687
12	ELEVATOR DRIVE GRAIN	784796M2	1	1003546	4014486471243
15	REDUCER	789853M1	1	1001403	4014486459098
16	KNIFE DRIVE	785585M3	1	1004096	4014486518696
17	REEL DRIVE	1615333M1	1	1000743	4014486471397
17	REEL DRIVE	785810M1	1	1000378	4014486466416

625

1	FANNING MILL	1616477M1	1	1000211	4014486462593
1	FANNING MILL	784797M2	1	1000214	4014486462708
2	TANK UNLOADER DRIVE	619317M2	1	1000563	4014486468656
3	FANNING MILL (UPPER)	785585M3	1	1004096	4014486518696
3	FANNING MILL (UPPER)	789853M1	1	1001403	4014486459098
6	ALTERNATOR DRIVE	893575M1	1	1000060	4014486483802
7	DRIVE	789967M1	1	1000986	4014486498066
8	MAIN BELT	789930M1	1	1002617	4014486498080
9	MULTI FLOW	784170M2	1	1000425	4014486466881
10	RETURN DRIVE	795514M4	1	1000264	4014486464214
10	RETURN DRIVE	795582M2	1	1000249	4014486463828
11	SHAKER SHAFT DRIVE	1615254M1	1	1000765	4014486471687
12	ELEVATOR DRIVE GRAIN	784796M2	1	1003546	4014486471243
15	REDUCER	789853M1	1	1001403	4014486459098
16	KNIFE DRIVE	785585M3	1	1004096	4014486518696
17	REEL DRIVE	1615333M1	1	1000743	4014486471397
17	REEL DRIVE	785810M1	1	1000378	4014486466416

660

1	FANNING MILL	3043153M1	1	1001399	4014486459050
1	FANNING MILL	3043154M1	1	1001398	4014486459043
2	TANK UNLOADER DRIVE	3370141M1	1	1001746	4014486487305
3	FANNING MILL (UPPER)	785585M3	1	1004096	4014486518696
5	HYDRAULIC PUMP DRIVE	843313M1	1	1001016	4014486497991
6	ALTERNATOR DRIVE	1687531M1	1	1002558	4014486495034
7	DRIVE	789967M1	1	1000986	4014486498066
8	MAIN BELT	789930M1	1	1002617	4014486498080
8	MAIN BELT	789931M1	1	1002616	4014486498073
10	RETURN DRIVE	795514M4	1	1000264	4014486464214
10	RETURN DRIVE	795582M2	1	1000249	4014486463828
11	SHAKER SHAFT DRIVE	1615254M1	1	1000765	4014486471687
12	ELEVATOR DRIVE GRAIN	784796M2	1	1003546	4014486471243
15	REDUCER	789853M1	1	1001403	4014486459098
16	KNIFE DRIVE	1724154M1	1	1000647	4014486470079
17	REEL DRIVE	843313M1	1	1001016	4014486497991

665

1	FANNING MILL	3043153M1	1	1001399	4014486459050
1	FANNING MILL	3043154M1	1	1001398	4014486459043
2	TANK UNLOADER DRIVE	3370141M1	1	1001746	4014486487305
3	FANNING MILL (UPPER)	785585M3	1	1004096	4014486518696
5	HYDRAULIC PUMP DRIVE	843313M1	1	1001016	4014486497991
6	ALTERNATOR DRIVE	1687531M1	1	1002558	4014486495034
7	DRIVE	789967M1	1	1000986	4014486498066
8	MAIN BELT	789930M1	1	1002617	4014486498080



MASSEY FERGUSON

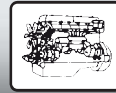
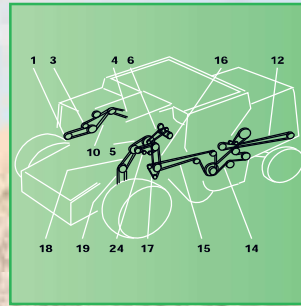
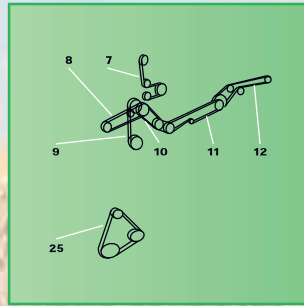
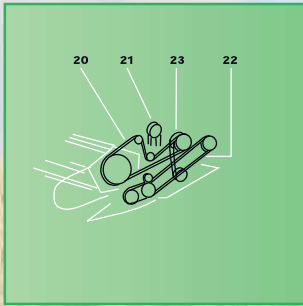
8	MAIN BELT	789931M1	1	1002616	4014486498073
10	RETURN DRIVE	795514M4	1	1000264	4014486464214
10	RETURN DRIVE	795582M2	1	1000249	4014486463828
11	SHAKER SHAFT DRIVE	1615254M1	1	1000765	4014486471687
12	ELEVATOR DRIVE GRAIN	784796M2	1	1003546	4014486471243
15	REDUCER	789853M1	1	1001403	4014486459098
16	KNIFE DRIVE	1724154M1	1	1000647	4014486470079
17	REEL DRIVE	843313M1	1	1001016	4014486497991

750

1	HYDRAULIC PUMP DRIVE (MECHANICAL SERIAL NR. 5387 - ...)	222882M2	1	1000232	4014486463262
2	RADIATOR FAN (MECHANICAL SERIAL NR. 1979-5387)	259047M91	2	1000131	4014486461473
2	RADIATOR FAN DRIVE	265522M91	2	1000133	4014486461497
4	AIR CONDITIONING COMPRESSOR DRIVE	1686883M1	1	1002534	4014486494556
4	AIR CONDITIONING COMPRESSOR DRIVE (SERIAL NR. 9674 - ...)	834492M2	1	1000211	4014486462593
4	AIR CONDITIONING COMPRESSOR DRIVE (SERIAL NR. 9674 - ...)	843045M1	1	1002543	4014486494723
5	MAIN DRIVE	833874M1	1	1001848	4014486488791
7	RETURN ELEVATOR DRIVE	833854M2	1	1000335	4014486465754
8	CYLINDER	833868M2	1	1001483	4014486459937
10	STRAW CHOPPER (SERIAL NR. ... - 16539)	833871M1	1	1001747	4014486485417
10	STRAW CHOPPER (SERIAL NR. 16539 - ...)	843948M1	1	1001451	4014486459593
11	STRAW CHOPPER (SERIAL NR. 16539 - ...)	843747M1	1	1000827	4014486472547
12	STRAW CHOPPER DRIVE (SERIAL NR. 16539 - ...)	832906M1	1	1000758	4014486471595
12	STRAW CHOPPER DRIVE (SERIAL NR. ... - 16539)	833872M1	1	1000762	4014486471632
12	STRAW CHOPPER DRIVE	843760M1	1	1000803	4014486472233
14	STRAW WALKER DRIVE	833855M1	1	1000419	4014486466829
14	STRAW WALKER DRIVE	843310M1	1	1000429	4014486466935
15	SHAKER SHOE DRIVE	273757M91	2	1000381	4014486466447
16	SHAKER SHOE - COUNTERSHAFT - FAN (SERIAL NR. ... - 15716)	274015M91	1	1003436	4014486464795
16	SHAKER SHOE - COUNTERSHAFT - FAN (SERIAL NR. 15716 - ...)	281560M91	2	1002782	4014486464832
17	CLEANING FAN DRIVE	833863M1	1	1001400	4014486459067
18	TRACTION (UPPER)	833856M1	1	No AP	
18	TRACTION (UPPER)	833858M4	1	No AP	
18	HYDROSTATIC TRACTION DRIVE (UPPER)	844077M1	1	No AP	
19	TRACTION (LOWER)	833858M4	1	No AP	
20	REEL DRIVE	834140M1	1	1000734	4014486471281
21	REEL DRIVE VARIABLE SPEED	833768M1	1	1001402	4014486459081
22	KNIFE WOBBLE DRIVE	834190M1	1	1000597	4014486469295
22	WOBBLE BOX DRIVE	842809M1	1	1000700	4014486470833
23	REEL DRIVE COUNTERSHAFT	834139M1	1	1000567	4014486468748
24	DISCHARGE DRIVE GRAIN TANK	833873M1	1	1001568	4014486484717

755

1	HYDRAULIC PUMP DRIVE (MECHANICAL SERIAL NR. 5387 - ...)	222882M2	1	1000232	4014486463262
2	RADIATOR FAN (MECHANICAL SERIAL NR. 1979-5387)	259047M91	2	1000131	4014486461473
2	RADIATOR FAN DRIVE	265522M91	2	1000133	4014486461497
4	AIR CONDITIONING COMPRESSOR DRIVE	1686883M1	1	1002534	4014486494556
4	AIR CONDITIONING COMPRESSOR DRIVE (SERIAL NR. 9674 - ...)	834492M2	1	1000211	4014486462593
4	AIR CONDITIONING COMPRESSOR DRIVE (SERIAL NR. 9674 - ...)	843045M1	1	1002543	4014486494723
5	MAIN DRIVE	833874M1	1	1001848	4014486488791
7	RETURN ELEVATOR DRIVE	833854M2	1	1000335	4014486465754
8	CYLINDER	833868M2	1	1001483	4014486459937
10	STRAW CHOPPER (SERIAL NR. ... - 16539)	833871M1	1	1001747	4014486485417
10	STRAW CHOPPER (SERIAL NR. 16539 - ...)	843948M1	1	1001451	4014486459593
11	STRAW CHOPPER (SERIAL NR. 16539 - ...)	843747M1	1	1000827	4014486472547



MASSEY FERGUSON

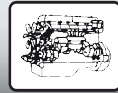
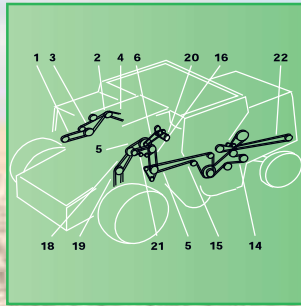
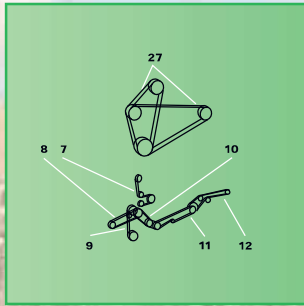
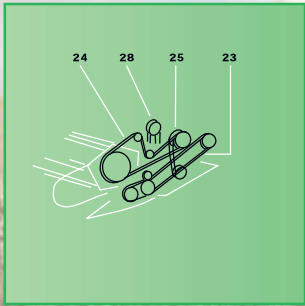
12	STRAW CHOPPER DRIVE (SERIAL NR. 16539 - ...)	832906M1	1	1000758	4014486471595
12	STRAW CHOPPER DRIVE (SERIAL NR. ... - 16539)	833872M1	1	1000762	4014486471632
12	STRAW CHOPPER DRIVE	843760M1	1	1000803	4014486472233
14	STRAW WALKER DRIVE	833855M1	1	1000419	4014486466829
14	STRAW WALKER DRIVE	843310M1	1	1000429	4014486466935
15	SHAKER SHOE DRIVE	273757M91	2	1000381	4014486466447
16	SHAKER SHOE - COUNTERSHAFT - FAN (SERIAL NR. ... - 15716)	274015M91	1	1003436	4014486464795
16	SHAKER SHOE - COUNTERSHAFT - FAN (SERIAL NR. 15716 - ...)	281560M91	2	1002782	4014486464832
17	CLEANING FAN DRIVE	833863M1	1	1001400	4014486459067
18	TRACTION (UPPER)	833856M1	1	No AP	
18	TRACTION (UPPER)	833858M4	1	No AP	
18	HYDROSTATIC TRACTION DRIVE (UPPER)	844077M1	1	No AP	
19	TRACTION (LOWER)	833858M4	1	No AP	
20	REEL DRIVE	834140M1	1	1000734	4014486471281
21	REEL DRIVE VARIABLE SPEED	833768M1	1	1001402	4014486459081
22	KNIFE WOBBLE DRIVE	834190M1	1	1000597	4014486469295
22	WOBBLE BOX DRIVE	842809M1	1	1000700	4014486470833
23	REEL DRIVE COUNTERSHAFT	834139M1	1	1000567	4014486468748
24	DISCHARGE DRIVE GRAIN TANK	833873M1	1	1001568	4014486484717

760

1	REEL DRIVE	834139M1	1	1000567	4014486468748
2	SELECTOR	834058M1	1	1000598	4014486469301
3	REEL DRIVE	834140M1	1	1000734	4014486471281
5	ALTERNATOR DRIVE II	273837M91	1	1002490	4014486493931
7	AIR ASPIRATOR	833867M1	1	1000119	4014486461305
9	FAN DRIVE	274339M91	1	1000128	4014486461428
10	STRAW CUTTER	833871M1	1	1001747	4014486485417
11	CENTRAL TRANSMISSION	833865M1	1	1003665	4014486490879
12	AIR CONDITIONING COMPRESSOR DRIVE	834492M2	1	1000211	4014486462593
14	VENTILATOR	274015M91	1	1003436	4014486464795
15	ELEVATOR DRIVE UNIT	833854M2	1	1000335	4014486465754
16	BEATER DRIVE	273757M91	2	1000381	4014486466447
18	STRAW CUTTER	833872M1	1	1000762	4014486471632
19	STRAW SHAKER	833860M1	1	1000820	4014486472462
22	VENTILATOR	833863M1	1	1001400	4014486459067

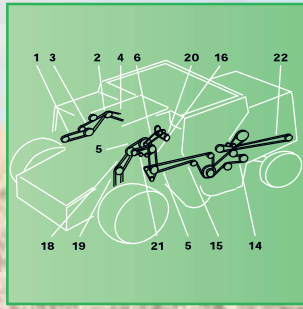
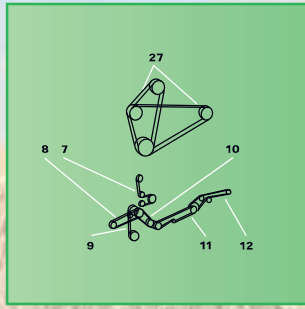
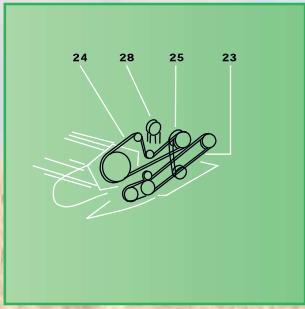
850

2	RADIATOR FAN DRIVE	265522M91	2	1000133	4014486461497
4	AIR CONDITIONING COMPRESSOR DRIVE	3386214M1	1	1002542	4014486494709
4	AIR CONDITIONING COMPRESSOR DRIVE	521110M1	1	1002531	4014486494501
4	AIR CONDITIONING COMPRESSOR DRIVE (SERIAL NR. ... - 25658)	529964M1	1	1002534	4014486494556
5	MAIN DRIVE - 3 BAND	833874M1	1	1001848	4014486488791
7	RETURN ELEVATOR DRIVE	833854M2	1	1000335	4014486465754
8	CYLINDER DRIVE	833868M2	1	1001483	4014486459937
10	STRAW CHOPPER (FRONT)	843948M1	1	1001451	4014486459593
11	STRAW CHOPPER (CENTER)	843747M1	1	1000827	4014486472547
12	STRAW CHOPPER (REAR)	843760M1	1	1000803	4014486472233
14	STRAW WALKER DRIVE	843310M1	1	1000429	4014486466935
15	SHAKER SHOE DRIVE	273757M91	2	1000381	4014486466447
17	CLEANING FAN DRIVE	833863M1	1	1001400	4014486459067
18	TRACTION (UPPER) - 4 SPEED	833858M4	1	No AP	
18	HYDROSTATIC TRACTION DRIVE (UPPER)	844077M1	1	No AP	
21	TANK UNLOADER DRIVE	833873M1	1	1001568	4014486484717
23	WOBBLE BOX - FLOATING CUT BAR 22 FEET	227455M1	1	1000698	4014486470802



MASSEY FERGUSON

23	WOBBLE BOX - FLOATING CUT BAR 15 FEET - 20 FEET	833962M1	1	1000673	4014486470444
23	WOBBLE BOX - RIGID CUT BAR 15 FEET - 20 FEET TABLE	834190M1	1	1000597	4014486469295
24	REEL DRIVE	834140M1	1	1000734	4014486471281
25	REEL DRIVE COUNTERSHAFT	834139M1	1	1000567	4014486468748
26	REEL DRIVE VARIABLE SPEED	833768M1	1	1001402	4014486459081
855					
2	RADIATOR FAN DRIVE	265522M91	2	1000133	4014486461497
4	AIR CONDITIONING COMPRESSOR DRIVE	3386214M1	1	1002542	4014486494709
4	AIR CONDITIONING COMPRESSOR DRIVE	521110M1	1	1002531	4014486494501
4	AIR CONDITIONING COMPRESSOR DRIVE (SERIAL NR. ... - 25658)	529964M1	1	1002534	4014486494556
5	MAIN DRIVE - 3 BAND	833874M1	1	1001848	4014486488791
7	RETURN ELEVATOR DRIVE	833854M2	1	1000335	4014486465754
8	CYLINDER DRIVE	833868M2	1	1001483	4014486459937
10	STRAW CHOPPER (FRONT)	843948M1	1	1001451	4014486459593
11	STRAW CHOPPER (CENTER)	843747M1	1	1000827	4014486472547
12	STRAW CHOPPER (REAR)	843760M1	1	1000803	4014486472233
14	STRAW WALKER DRIVE	843310M1	1	1000429	4014486466935
15	SHAKER SHOE DRIVE	273757M91	2	1000381	4014486466447
17	CLEANING FAN DRIVE	833863M1	1	1001400	4014486459067
18	TRACTION (UPPER) - 4 SPEED	833858M4	1	No AP	
18	HYDROSTATIC TRACTION DRIVE (UPPER)	844077M1	1	No AP	
21	TANK UNLOADER DRIVE	833873M1	1	1001568	4014486484717
23	WOBBLE BOX - FLOATING CUT BAR 22 FEET	227455M1	1	1000698	4014486470802
23	WOBBLE BOX - FLOATING CUT BAR 15 FEET - 20 FEET	833962M1	1	1000673	4014486470444
23	WOBBLE BOX - RIGID CUT BAR 15 FEET - 20 FEET TABLE	834190M1	1	1000597	4014486469295
24	REEL DRIVE	834140M1	1	1000734	4014486471281
25	REEL DRIVE COUNTERSHAFT	834139M1	1	1000567	4014486468748
26	REEL DRIVE VARIABLE SPEED	833768M1	1	1001402	4014486459081
860					
2	RADIATOR AND FAN DRIVE (SERIAL NR. ... - 16559)	259047M91	2	1000131	4014486461473
2	RADIATOR AND FAN DRIVE (SERIAL NR. 15558 - ...)	284633M91	2	1003757	4014486461459
4	AIR CONDITIONING COMPRESSOR DRIVE	529964M1	1	1002534	4014486494556
5	MAIN DRIVE	833865M1	1	1003665	4014486490879
6	ROTARY SCREEN - COUNTERSHAFT	833867M1	1	1000119	4014486461305
7	RETURN ELEVATOR DRIVE	833854M2	1	1000335	4014486465754
10	STRAW CHOPPER (FRONT)	843948M1	1	1001451	4014486459593
11	STRAW CHOPPER (CENTER)	843747M1	1	1000827	4014486472547
12	STRAW CHOPPER (REAR) 102.5 INCH	843760M1	1	1000803	4014486472233
15	SHAKER SHOE DRIVE	273757M91	2	1000381	4014486466447
17	CLEANING FAN DRIVE	833863M1	1	1001400	4014486459067
18	TRACTION (UPPER) - 4 SPEED	833858M4	1	No AP	
19	TRACTION (LOWER) - 4 SPEED (SERIAL NR. ... - 19115)	833858M4	1	No AP	
20	COUNTERSHAFT - ROTARY SCREEN	844306M1	1	1000116	4014486461251
21	TANK UNLOADER DRIVE	833862M3	1	1003597	4014486485059
22	WOBBLE BOX - FLOATING CUT BAR 22 FEET	227455M1	1	1000698	4014486470802
22	WOBBLE BOX - FLOATING CUT BAR 22 FEET	832832M1	1	1000688	4014486470680
22	WOBBLE BOX - FLOATING CUT BAR 15 FEET - 20 FEET	833962M1	1	1000673	4014486470444
23	WOBBLE BOX DRIVE	834190M1	1	1000597	4014486469295
23	DRAPER TABLE	842809M1	1	1000700	4014486470833
24	REEL DRIVE	834140M1	1	1000734	4014486471281
25	REEL DRIVE COUNTERSHAFT	834139M1	1	1000567	4014486468748



MASSEY FERGUSON

865

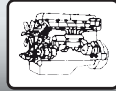
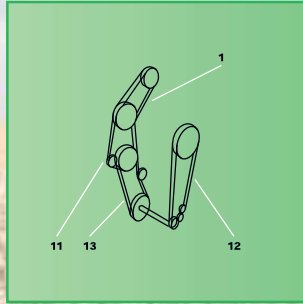
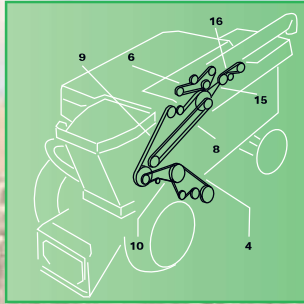
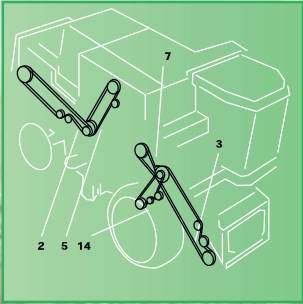
2	RADIATOR AND FAN DRIVE (SERIAL NR. ... - 16559)	259047M91	2	1000131	4014486461473
2	RADIATOR AND FAN DRIVE (SERIAL NR. 15558 - ...)	284633M91	2	1003757	4014486461459
4	AIR CONDITIONING COMPRESSOR DRIVE	529964M1	1	1002534	4014486494556
5	MAIN DRIVE	833865M1	1	1003665	4014486490879
6	ROTARY SCREEN - COUNTERSHAFT	833867M1	1	1000119	4014486461305
7	RETURN ELEVATOR DRIVE	833854M2	1	1000335	4014486465754
10	STRAW CHOPPER (FRONT)	843948M1	1	1001451	4014486459593
11	STRAW CHOPPER (CENTER)	843747M1	1	1000827	4014486472547
12	STRAW CHOPPER (REAR) 102.5 INCH	843760M1	1	1000803	4014486472233
15	SHAKER SHOE DRIVE	273757M91	2	1000381	4014486466447
17	CLEANING FAN DRIVE	833863M1	1	1001400	4014486459067
18	TRACTION (UPPER) - 4 SPEED	833858M4	1	No AP	
19	TRACTION (LOWER) - 4 SPEED (SERIAL NR. ... - 19115)	833858M4	1	No AP	
20	COUNTERSHAFT - ROTARY SCREEN	844306M1	1	1000116	4014486461251
21	TANK UNLOADER DRIVE	833862M3	1	1003597	4014486485059
22	WOBBLE BOX - FLOATING CUT BAR 22 FEET	227455M1	1	1000698	4014486470802
22	WOBBLE BOX - FLOATING CUT BAR 22 FEET	832832M1	1	1000688	4014486470680
22	WOBBLE BOX - FLOATING CUT BAR 15 FEET - 20 FEET	833962M1	1	1000673	4014486470444
23	WOBBLE BOX DRIVE	834190M1	1	1000597	4014486469295
23	DRAPER TABLE	842809M1	1	1000700	4014486470833
24	REEL DRIVE	834140M1	1	1000734	4014486471281
25	REEL DRIVE COUNTERSHAFT	834139M1	1	1000567	4014486468748

3640

11	USED WITH THE A6.354.4 ENGINE	2834466M1	1	1003399	4014486462937
19	USED WITH THE A6.354.4 ENGINE	3145238M1	1	1002584	4014486495706
19	USED WITH THE A6.358 ENGINE	487802M2	1	1002550	4014486494822

5650

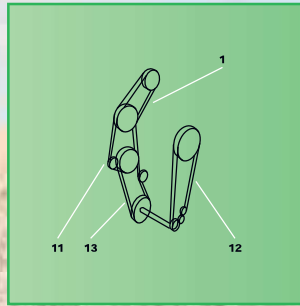
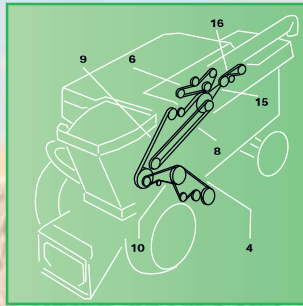
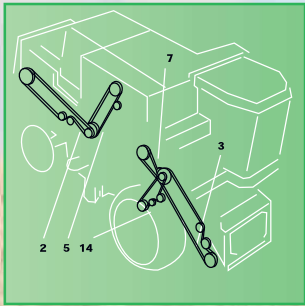
		1483884M1	1	1000677	4014486470505



MASSEY FERGUSON

8560

4	ELEVATOR DRIVE GRAIN	227455M1	1	1000698	4014486470802
5	JACKSHAFT - SPREADER	227455M1	1	1000698	4014486470802
8	UNLOADING DRIVE	101102M1	1	1001662	4014486486186
10	SHAKER SHOE PITMAN DRIVE	2593000W1	1	1001604	4014486485295



MASSEY FERGUSON

8570

2	SPREADER DRIVE	1680230W1	1	1004118	4014486522921
3	FEEDER DRIVE HIGH CAPACITY (4 RIB)	104072W1	1	1001171	4014486491821
4	ELEVATOR DRIVE GRAIN	227455M1	1	1000698	4014486470802
5	CHOPPER DRIVE - JACKSHAFT	103319M1	1	1000692	4014486470710
5	SPREADER JACKSHAFT DRIVE	227455M1	1	1000698	4014486470802
8	UNLOADING DRIVE	101102M1	1	1001662	4014486486186
10	SHAKER SHOE PITMAN DRIVE	2593000W1	1	1001604	4014486485295

8780

1	FEEDER DRIVE	71379105	1	1001170	4014486491814
4	ELEVATOR DRIVE UNIT	71385801	1	1003628	4014486519013
6	CHOPPER DRIVE - 2ND STAGE	71388712	1	1000821	4014486472479
7	AUGER DRIVE	1680230W1	1	1004118	4014486522921
8	REEL DRIVE	227455M1	1	1000698	4014486470802
9	JACKSHAFT DRIVE	103319M1	1	1000692	4014486470710
11	UNLOADING DRIVE	101102M1	1	1001662	4014486486186
13		227455M1	1	1000698	4014486470802
14	PITMAN DRIVE	2593000W1	1	1001604	4014486485295
16	BEATER DRIVE	71386352	1	1001900	4014486489606
18	MAIN COUNTERSHAFT DRIVE	71385693	1	1003357	4014486488951
19	MAIN COUNTERSHAFT DRIVE	71387775	1	1003643	4014486489156
21	HYDRAULIC PUMP ROTOR DRIVE	111954W1	1	1001166	4014486491777
23	FAN DRIVE	71148120	1	1002556	4014486494983

9720

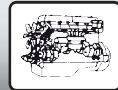
11	HYDROSTATIC PUMP DRIVE	31-2449520	1	1001948	4014486490527
----	------------------------	------------	---	---------	---------------

186 (F)

1	TABLE FEEDER DRUM	1724154M1	1	1000647	4014486470079
1	TABLE FEEDER DRUM	417974M1	1	1000651	4014486470116
2	TANK UNLOADER DRIVE	621259M1	1	1000547	4014486468311
3	FANNING MILL (UPPER)	621261M1	1	1000284	4014486464641
5	BEATER DRIVE	418232M1	1	No AP	
7	STRAW WALKER SHAKER	621258M1	1	1000346	4014486465983
8	TRACTION (UPPER)	905921M1	1	1004743	4014486720303
9	TRACTION (LOWER)	905920M1	1	1001450	4014486459586
10	REDUCER	417972M1	1	1000885	4014486473261
12	KNIFE DRIVE	1722835M1	1	1003502	4014486469097
12	KNIFE DRIVE	402607M1	1	1003515	4014486469653
15	FANNING MILL	621262M1	1	1003334	4014486462586

186 OLD

6	KNIFE DRIVE (UPPER)	417972M1	1	1000885	4014486473261
7	FEEDER DRIVE	1724154M1	1	1000647	4014486470079
7	FEEDER DRIVE	417974M1	1	1000651	4014486470116
8	KNIFE DRIVE	402607M1	1	1003515	4014486469653
10	TANK UNLOADER DRIVE	621259M1	1	1000547	4014486468311
11	BEATER BEHIND CYLINDER	418232M1	1	No AP	
12	HYDRAULIC PUMP DRIVE	417468M1	1	1003397	4014486462821
	RADIATOR FAN DRIVE	893575M1	1	1000060	4014486483802



MASSEY FERGUSON

206 OLD

1	SHAKER SHOE DRIVE	621258M1	1	1000346	4014486465983
2	BEATER - FAN (REAR)	621261M1	1	1000284	4014486464641
3	FANNING MILL	621262M1	1	1003334	4014486462586
4	DRUM DRIVE VARIABLE SPEED	905920M1	1	1001450	4014486459586
5	DRUM DRIVE VARIABLE SPEED	905921M1	1	1004743	4014486720303
6	KNIFE DRIVE (UPPER)	417972M1	1	1000885	4014486473261
7	FEEDER DRIVE	1724154M1	1	1000647	4014486470079
8	KNIFE DRIVE	402607M1	1	1003515	4014486469653
9	KNIFE DRIVE	1722835M1	1	1003502	4014486469097
11	BEATER (REAR)	418232M1	1	No AP	

307 OLD

2	KNIFE DRIVE (UPPER)	417972M1	1	1000885	4014486473261
3	TRACTION VARIATOR DRIVE	905920M1	1	1001450	4014486459586
5	SHAKER SHOE DRIVE	621258M1	1	1000346	4014486465983
6	TRACTION VARIATOR DRIVE	905921M1	1	1004743	4014486720303
7	KNIFE DRIVE	1722835M1	1	1003502	4014486469097
7	KNIFE DRIVE	402607M1	1	1003515	4014486469653
9	BEATER - FAN (REAR)	621261M1	1	1000284	4014486464641
11	FEEDER DRIVE	1724154M1	1	1000647	4014486470079
12	FAN CLEANING	621262M1	1	1003334	4014486462586
14	BEATER (REAR)	418232M1	1	No AP	

3640 Advanced

		1483884M1	1	1000677	4014486470505
--	--	-----------	---	---------	---------------

400 - 500

1	RADIATOR FAN DRIVE	228722M1	1	1000214	4014486462708
2	RADIATOR FAN DRIVE	233950M1	1	1003334	4014486462586
3	HYDRAULIC PUMP DRIVE	832490M1	1	1001277	4014486474435
4	VENTILATOR	227976M1	1	1000214	4014486462708
6	BEATER DRIVE	832538M1	1	1003431	4014486464313
9	COUNTERSHAFT DRIVE	227457M1	1	1000572	4014486468809
10	HOPPER	227984M1	1	1000731	4014486471250

400 - 500 OLD

2	COUNTERSHAFT - REEL DRIVE	1855008M1	1	1000572	4014486468809
5	BEATER (REAR)	793863M1	1	No AP	
6	REEL DRIVE	785810M1	1	1000378	4014486466416
8	RETURN ELEVATOR DRIVE	832538M1	1	1003431	4014486464313
9	RADIATOR AIR INTAKE	228722M1	1	1000214	4014486462708
10	STRAW WALKER DRIVE	1615254M1	1	1000765	4014486471687
10	STRAW WALKER DRIVE	320593M2	1	1001361	4014486474756
15	HYDRAULIC PUMP DRIVE	832490M1	1	1001277	4014486474435
16	RADIATOR FAN DRIVE	233950M1	1	1003334	4014486462586

410 - 415

1	FANNING MILL	784797M2	1	1000214	4014486462708
3	FANNING MILL (UPPER)	1855008M1	1	1000572	4014486468809
5	HYDRAULIC PUMP DRIVE	832490M1	1	1001277	4014486474435
6	ALTERNATOR DRIVE	893575M1	1	1000060	4014486483802
7	DRIVE	793863M1	1	No AP	
10	RETURN DRIVE	795514M4	1	1000264	4014486464214



MASSEY FERGUSON

10	RETURN DRIVE	795582M2	1	1000249	4014486463828
11	SHAKER SHAFT DRIVE	1615254M1	1	1000765	4014486471687
12	ELEVATOR DRIVE GRAIN	784796M2	1	1003546	4014486471243
16	KNIFE DRIVE	785585M3	1	1004096	4014486518696
17	REEL DRIVE	1615254M1	1	1000765	4014486471687
17	REEL DRIVE	1615333M1	1	1000743	4014486471397

410 - 415 -510 - 515 OLD

2	COUNTERSHAFT - REEL DRIVE	1855008M1	1	1000572	4014486468809
5	BEATER (REAR)	793863M1	1	No AP	
6	REEL DRIVE	1615333M1	1	1000743	4014486471397
8	RETURN ELEVATOR DRIVE	795514M4	1	1000264	4014486464214
9	RADIATOR AIR INTAKE	228722M1	1	1000214	4014486462708
10	STRAW WALKER DRIVE	1615254M1	1	1000765	4014486471687
15	HYDRAULIC PUMP DRIVE	832490M1	1	1001277	4014486474435
16	RADIATOR FAN DRIVE	233950M1	1	1003334	4014486462586
17	KNIFE DRIVE	785585M3	1	1004096	4014486518696

410 - 510

1	ENGINE FAN DRIVE	240575M2	1	1002298	4014486479867
2	HYDRAULIC PUMP DRIVE	832490M1	1	1001277	4014486474435
3	AIR FILTER	228722M1	1	1000214	4014486462708
4	VENTILATOR	227976M1	1	1000214	4014486462708
6	HYDRAULIC PUMP DRIVE	230381M1	1	1003482	4014486468182
8	VENTILATOR	227457M1	1	1000572	4014486468809
9	HOPPER	227984M1	1	1000731	4014486471250
10	REEL DRIVE	1615333M1	1	1000743	4014486471397

487 - 506 - 507

1	TABLE FEEDER DRUM	621588M1	1	1000668	4014486470352
2	TANK UNLOADER DRIVE	905980M1	1	1001552	4014486484519
3	FANNING MILL (UPPER)	621261M1	1	1000284	4014486464641
5	BEATER DRIVE	1720255M1	1	1001871	4014486489125
7	STRAW WALKER SHAKER	621258M1	1	1000346	4014486465983
10	REDUCER	417972M1	1	1000885	4014486473261
12	KNIFE DRIVE	402607M1	1	1003515	4014486469653
12	KNIFE DRIVE	410959M1	1	1003512	4014486469516
15	FANNING MILL	621262M1	1	1003334	4014486462586

487 OLD

1	SHAKER SHOE DRIVE	621258M1	1	1000346	4014486465983
2	BEATER - FAN (REAR)	621261M1	1	1000284	4014486464641
6	KNIFE DRIVE (UPPER)	417972M1	1	1000885	4014486473261
7	FEEDER DRIVE	1720488M1	1	1000675	4014486470475
8	KNIFE DRIVE	402607M1	1	1003515	4014486469653
9	FEEDER AUGER	1722835M1	1	1003502	4014486469097
10	TANK UNLOADER DRIVE	621259M1	1	1000547	4014486468311
11	BEATER (REAR)	1720255M1	1	1001871	4014486489125
13	HYDRAULIC PUMP DRIVE	1720674M2	1	1000220	4014486462838

506 OLD

1	SHAKER SHOE DRIVE	621258M1	1	1000346	4014486465983
2	BEATER - FAN (REAR)	621261M1	1	1000284	4014486464641
3	FANNING MILL	621262M1	1	1003334	4014486462586
6	KNIFE DRIVE (UPPER)	417972M1	1	1000885	4014486473261



MASSEY FERGUSON

7	FEEDER DRIVE	621588M1	1	1000668	4014486470352
8	KNIFE DRIVE	402607M1	1	1003515	4014486469653
9	FEEDER AUGER	410959M1	1	1003512	4014486469516
10	TANK UNLOADER DRIVE	905980M1	1	1001552	4014486484519
11	BEATER (REAR)	1720255M1	1	1001871	4014486489125
507 OLD					
1	SHAKER SHOE DRIVE	621258M1	1	1000346	4014486465983
4	BEATER (REAR)	1720205M3	1	1001889	4014486489460
6	BEATER (REAR)	621261M1	1	1000284	4014486464641
7	FANNING MILL	621262M1	1	1003334	4014486462586
8	FEEDER DRIVE	621588M1	1	1000668	4014486470352
9	TANK UNLOADER DRIVE	905980M1	1	1001552	4014486484519
10	HYDRAULIC PUMP DRIVE	1720674M2	1	1000220	4014486462838
13	KNIFE DRIVE	410959M1	1	1003512	4014486469516
520 - 525					
2	DRUM DRIVE	912877M1	1	1001181	4014486490190
3	DRIVE RIGHT SIDE	227976M1	1	1000214	4014486462708
7	THRESHING DRIVE	619327M1	1	1004086	4014486520392
8	HYDRAULIC PUMP DRIVE	619595M1	1	1000536	4014486468168
12	AUGER DRIVE	227984M1	1	1000731	4014486471250
15	REEL DRIVE VARIABLE SPEED	789853M1	1	1001403	4014486459098
520 OLD					
1	TANK UNLOADER DRIVE	619317M2	1	1000563	4014486468656
3	HYDRAULIC PUMP DRIVE	782850M2	1	1000537	4014486468175
5	CASCADE SEPARATOR	784170M2	1	1000425	4014486466881
6	COUNTERSHAFT 2ND STAGE - GRAIN AUGER	784796M2	1	1003546	4014486471243
7	COUNTERSHAFT - FAN - 2ND STAGE	784797M2	1	1000214	4014486462708
8	KNIFE DRIVE	785585M3	1	1004096	4014486518696
9	COUNTERSHAFT DRIVE - 2ND STAGE	785585M3	1	1004096	4014486518696
10	REEL DRIVE VARIABLE SPEED	789853M1	1	1001403	4014486459098
11	PICK UP REEL	1615333M1	1	1000743	4014486471397
11	REEL DRIVE	785810M1	1	1000378	4014486466416
12	BEATER (REAR)	789967M1	1	1000986	4014486498066
13	RETURN ELEVATOR DRIVE	795514M4	1	1000264	4014486464214
13	RETURN ELEVATOR DRIVE	795582M2	1	1000249	4014486463828
14	STRAW WALKER DRIVE	1615254M1	1	1000765	4014486471687
17	MAIN DRIVE	789930M1	1	1002617	4014486498080
17	MAIN DRIVE	789931M1	1	1002616	4014486498073
525 OLD					
1	TANK UNLOADER DRIVE	619317M2	1	1000563	4014486468656
3	HYDRAULIC PUMP DRIVE	782850M2	1	1000537	4014486468175
5	CASCADE SEPARATOR	784170M2	1	1000425	4014486466881
6	COUNTERSHAFT 2ND STAGE - GRAIN AUGER	784796M2	1	1003546	4014486471243
7	COUNTERSHAFT - FAN - 2ND STAGE	784797M2	1	1000214	4014486462708
8	KNIFE DRIVE	785585M3	1	1004096	4014486518696
9	COUNTERSHAFT DRIVE - 2ND STAGE	785585M3	1	1004096	4014486518696
10	REEL DRIVE VARIABLE SPEED	789853M1	1	1001403	4014486459098
11	PICK UP REEL	1615333M1	1	1000743	4014486471397
11	REEL DRIVE	785810M1	1	1000378	4014486466416
12	BEATER (REAR)	789967M1	1	1000986	4014486498066
13	RETURN ELEVATOR DRIVE	795514M4	1	1000264	4014486464214



MASSEY FERGUSON

13	RETURN ELEVATOR DRIVE	795582M2	1	1000249	4014486463828
14	STRAW WALKER DRIVE	1615254M1	1	1000765	4014486471687
17	MAIN DRIVE	789930M1	1	1002617	4014486498080
17	MAIN DRIVE	789931M1	1	1002616	4014486498073
530 S					
1	FANNING MILL	3043153M1	1	1001399	4014486459050
1	FANNING MILL	3043154M1	1	1001398	4014486459043
2	TANK UNLOADER DRIVE	3370141M1	1	1001746	4014486487305
3	FANNING MILL (UPPER)	785585M3	1	1004096	4014486518696
5	HYDRAULIC PUMP DRIVE	843313M1	1	1001016	4014486497991
6	ALTERNATOR DRIVE	1687531M1	1	1002558	4014486495034
7	DRIVE	789967M1	1	1000986	4014486498066
8	MAIN BELT	789930M1	1	1002617	4014486498080
8	MAIN BELT	789931M1	1	1002616	4014486498073
10	RETURN DRIVE	795514M4	1	1000264	4014486464214
10	RETURN DRIVE	795582M2	1	1000249	4014486463828
11	SHAKER SHAFT DRIVE	1615254M1	1	1000765	4014486471687
12	ELEVATOR DRIVE GRAIN	784796M2	1	1003546	4014486471243
15	REDUCER	789853M1	1	1001403	4014486459098
16	KNIFE DRIVE	1724154M1	1	1000647	4014486470079
17	REEL DRIVE	843313M1	1	1001016	4014486497991
5650 Advanced					
		1483884M1	1	1000677	4014486470505
5650 Turbo					
		1483884M1	1	1000677	4014486470505
620 - 625					
4	REEL DRIVE	785810M1	1	1000378	4014486466416
9	REEL DRIVE	1615333M1	1	1000743	4014486471397
11	REEL DRIVE VARIABLE SPEED	789853M1	1	1001403	4014486459098
12	THRESHING DRIVE	789931M1	1	1002616	4014486498073
13	DRUM DRIVE	789967M1	1	1000986	4014486498066
620 OLD					
1	TANK UNLOADER DRIVE	619317M2	1	1000563	4014486468656
3	HYDRAULIC PUMP DRIVE	782850M2	1	1000537	4014486468175
5	CASCADE SEPARATOR	784170M2	1	1000425	4014486466881
6	COUNTERSHAFT 2ND STAGE - GRAIN AUGER	784796M2	1	1003546	4014486471243
7	COUNTERSHAFT - FAN - 2ND STAGE	784797M2	1	1000214	4014486462708
8	KNIFE DRIVE	785585M3	1	1004096	4014486518696
9	COUNTERSHAFT DRIVE - 2ND STAGE	785585M3	1	1004096	4014486518696
10	REEL DRIVE VARIABLE SPEED	789853M1	1	1001403	4014486459098
11	PICK UP REEL	1615333M1	1	1000743	4014486471397
11	REEL DRIVE	785810M1	1	1000378	4014486466416
12	BEATER (REAR)	789967M1	1	1000986	4014486498066
13	RETURN ELEVATOR DRIVE	795514M4	1	1000264	4014486464214
13	RETURN ELEVATOR DRIVE	795582M2	1	1000249	4014486463828
14	STRAW WALKER DRIVE	1615254M1	1	1000765	4014486471687
17	MAIN DRIVE	789930M1	1	1002617	4014486498080
17	MAIN DRIVE	789931M1	1	1002616	4014486498073



MASSEY FERGUSON

625 OLD

1	TANK UNLOADER DRIVE	619317M2	1	1000563	4014486468656
3	HYDRAULIC PUMP DRIVE	782850M2	1	1000537	4014486468175
5	CASCADE SEPARATOR	784170M2	1	1000425	4014486466881
6	COUNTERSHAFT 2ND STAGE - GRAIN AUGER	784796M2	1	1003546	4014486471243
7	COUNTERSHAFT - FAN - 2ND STAGE	784797M2	1	1000214	4014486462708
8	KNIFE DRIVE	785585M3	1	1004096	4014486518696
9	COUNTERSHAFT DRIVE - 2ND STAGE	785585M3	1	1004096	4014486518696
10	REEL DRIVE VARIABLE SPEED	789853M1	1	1001403	4014486459098
11	PICK UP REEL	1615333M1	1	1000743	4014486471397
11	REEL DRIVE	785810M1	1	1000378	4014486466416
12	BEATER (REAR)	789967M1	1	1000986	4014486498066
13	RETURN ELEVATOR DRIVE	795514M4	1	1000264	4014486464214
13	RETURN ELEVATOR DRIVE	795582M2	1	1000249	4014486463828
14	STRAW WALKER DRIVE	1615254M1	1	1000765	4014486471687
17	MAIN DRIVE	789930M1	1	1002617	4014486498080
17	MAIN DRIVE	789931M1	1	1002616	4014486498073

630 OLD

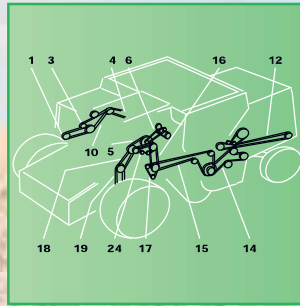
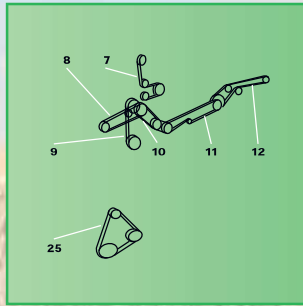
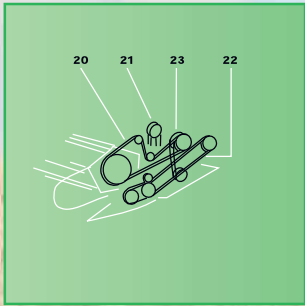
1	TANK UNLOADER DRIVE	324872M1	1	1000215	4014486462739
4	TABLE DRIVE	320595M2	1	1000540	4014486468229
4	TABLE DRIVE	322768M1	1	1003482	4014486468182
5	CYLINDER	320496M3	1	No AP	
6	KNIFE DRIVE	320623M2	1	1003438	4014486464894
7	FEEDER AUGER	320596M1	1	1003412	4014486463545
8	TRACTION VARIATOR DRIVE	320551M1	1	1001063	4014486496475
9	HYDRAULIC PUMP DRIVE	410195M1	1	1002281	4014486478495
10	STRAW WALKER DRIVE	320593M2	1	1001361	4014486474756

630 S OLD

1	TANK UNLOADER DRIVE	324872M1	1	1000215	4014486462739
4	TABLE DRIVE	320595M2	1	1000540	4014486468229
4	TABLE DRIVE	322768M1	1	1003482	4014486468182
5	CYLINDER	320496M3	1	No AP	
6	KNIFE DRIVE	320623M2	1	1003438	4014486464894
7	FEEDER AUGER	320596M1	1	1003412	4014486463545
8	TRACTION VARIATOR DRIVE	320551M1	1	1001063	4014486496475
9	HYDRAULIC PUMP DRIVE	410195M1	1	1002281	4014486478495
10	STRAW WALKER DRIVE	320593M2	1	1001361	4014486474756

685 OLD

1	KNIFE DRIVE	402607M1	1	1003515	4014486469653
2	TRACTION VARIATOR DRIVE	401110M1	1	1001160	4014486497397
3	CYLINDER	402608M3	1	No AP	
7	HYDRAULIC PUMP DRIVE (PERKINS)	403041M1	1	1000206	4014486462463
9	TANK UNLOADER DRIVE	403071M1	1	1003432	4014486464337
10	STRAW BALER	328656M1	1	1000527	4014486468076
11	FANNING MILL	402604M1	1	1003390	4014486462579
12	FANNING MILL	402605M1	1	1003428	4014486464238
13	BEATER (REAR)	402606M1	1	1003523	4014486469936



MASSEY FERGUSON

685 S OLD

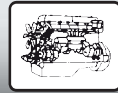
1	KNIFE DRIVE	402607M1	1	1003515	4014486469653
2	TRACTION VARIATOR DRIVE	401110M1	1	1001160	4014486497397
3	CYLINDER	402608M3	1	No AP	
7	HYDRAULIC PUMP DRIVE (PERKINS)	403041M1	1	1000206	4014486462463
9	TANK UNLOADER DRIVE	403071M1	1	1003432	4014486464337
10	STRAW BALER	328656M1	1	1000527	4014486468076
11	FANNING MILL	402604M1	1	1003390	4014486462579
12	FANNING MILL	402605M1	1	1003428	4014486464238
13	BEATER (REAR)	402606M1	1	1003523	4014486469936

750 OLD

1		834140M1	1	1000734	4014486471281
2	REEL DRIVE VARIABLE SPEED	833768M1	1	1001402	4014486459081
3	REEL DRIVE	834139M1	1	1000567	4014486468748
4	WOBBLE BOX DRIVE	834058M1	1	1000598	4014486469301
4	WOBBLE BOX DRIVE	842809M1	1	1000700	4014486470833
5	TRACTION DRIVE	833856M1	1	No AP	
7	TRACTION DRIVE	833874M1	1	1001848	4014486488791
9	DISCHARGE DRIVE GRAIN TANK	833873M1	1	1001568	4014486484717
12	STRAW WALKER DRIVE	833855M1	1	1000419	4014486466829
12	STRAW WALKER DRIVE	843310M1	1	1000429	4014486466935
16	HYDRAULIC PUMP DRIVE	222882M2	1	1000232	4014486463262
17	RADIATOR FAN DRIVE	273837M91	1	1002490	4014486493931
18	ALTERNATOR DRIVE (DIESEL ENGINE)	259047M91	2	1000131	4014486461473
19	AIR CONDITIONING COMPRESSOR DRIVE	834492M2	1	1000211	4014486462593
19	AIR CONDITIONING COMPRESSOR DRIVE	843045M1	1	1002543	4014486494723
22	STRAW CHOPPER DRIVE	833871M1	1	1001747	4014486485417
24	STRAW CHOPPER DRIVE	833872M1	1	1000762	4014486471632
24	STRAW CHOPPER DRIVE	843324M1	1	1000804	4014486472240
25	RETURN ELEVATOR DRIVE	833854M2	1	1000335	4014486465754

760 - 765

1	HYDRAULIC PUMP DRIVE (SERIAL NR. 00511-2474)	222882M2	1	1000232	4014486463262
2	RADIATOR FAN DRIVE	259047M91	2	1000131	4014486461473
3	ALTERNATOR DRIVE	1687531M1	1	1002558	4014486495034
4	AIR CONDITIONING COMPRESSOR DRIVE	1686883M1	1	1002534	4014486494556
4	AIR CONDITIONING COMPRESSOR DRIVE (SERIAL NR. 5829-7663)	843045M1	1	1002543	4014486494723
5	MAIN DRIVE	833865M1	1	1003665	4014486490879
6	AIR INTAKE DRIVE	833867M1	1	1000119	4014486461305
10	STRAW CHOPPER DRIVE (SERIAL NR. ... - 9413)	833871M1	1	1001747	4014486485417
10	STRAW CHOPPER DRIVE (SERIAL NR. 9413 - ...)	843948M1	1	1001451	4014486459593
11	STRAW CHOPPER DRIVE (SERIAL NR. 9413 - ...)	843747M1	1	1000827	4014486472547
12	STRAW CHOPPER DRIVE (SERIAL NR. 9413 - ...)	832906M1	1	1000758	4014486471595
12	STRAW CHOPPER DRIVE (SERIAL NR. ... - 9413)	833872M1	1	1000762	4014486471632
12	STRAW CHOPPER DRIVE	843760M1	1	1000803	4014486472233
14	STRAW WALKER DRIVE	833860M1	1	1000820	4014486472462
15	SHAKER SHOE DRIVE	273757M91	2	1000381	4014486466447
16	SHAKER SHOE - COUNTERSHAFT - FAN (SERIAL NR. ... - 9413)	274015M91	1	1003436	4014486464795
16	SHAKER SHOE - COUNTERSHAFT - FAN (SERIAL NR. 9413 - ...)	281560M91	2	1002782	4014486464832
17	CLEANING FAN DRIVE	833863M1	1	1001400	4014486459067
18	TRACTION (UPPER) - 4 SPEED	833858M4	1	No AP	
19	TRACTION (LOWER) - 4 SPEED	833858M4	1	No AP	
20	REEL DRIVE	834140M1	1	1000734	4014486471281



MASSEY FERGUSON

21	REEL DRIVE VARIABLE SPEED	833768M1	1	1001402	4014486459081
22	KNIFE WOBBLE - FLOATING CUT BAR	833962M1	1	1000673	4014486470444
22	KNIFE DRIVE - RIDIG CUT BAR 13 FEET	834058M1	1	1000598	4014486469301
22	KNIFE WOBBLE RIDIG CUT BAR - 15 FEET - 24 FEET	834190M1	1	1000597	4014486469295
22	WOBBLE BOX - WITH DRAPER TABLE	842809M1	1	1000700	4014486470833
23	REEL DRIVE COUNTERSHAFT	834139M1	1	1000567	4014486468748
24	DISCHARGE DRIVE GRAIN TANK	833862M3	1	1003597	4014486485059

760 OLD

1	REEL DRIVE	834140M1	1	1000734	4014486471281
2	REEL DRIVE VARIABLE SPEED	833768M1	1	1001402	4014486459081
3	REEL DRIVE	834139M1	1	1000567	4014486468748
4	WOBBLE BOX DRIVE	834058M1	1	1000598	4014486469301
4	WOBBLE BOX DRIVE	834190M1	1	1000597	4014486469295
4	WOBBLE BOX DRIVE	842809M1	1	1000700	4014486470833
5	TRACTION DRIVE	833858M4	1	No AP	
6	MAIN DRIVE	833865M1	1	1003665	4014486490879
7	AIR INTAKE DRIVE	833867M1	1	1000119	4014486461305
8	DISCHARGE DRIVE GRAIN TANK	833862M3	1	1003597	4014486485059
11	STRAW WALKER DRIVE	833860M1	1	1000820	4014486472462
14	HYDRAULIC PUMP DRIVE	222882M2	1	1000232	4014486463262
18	AIR CONDITIONING COMPRESSOR DRIVE	834492M2	1	1000211	4014486462593
18	AIR CONDITIONING COMPRESSOR DRIVE	843045M1	1	1002543	4014486494723
21	STRAW CHOPPER DRIVE	833871M1	1	1001747	4014486485417
23	STRAW CHOPPER DRIVE	833872M1	1	1000762	4014486471632
23	STRAW CHOPPER DRIVE	843324M1	1	1000804	4014486472240
24	RETURN ELEVATOR DRIVE	833854M2	1	1000335	4014486465754

86 (F)

1	TABLE FEEDER DRUM	412236M1	1	1003530	4014486470369
2	TANK UNLOADER DRIVE	412074M1	1	1003402	4014486463170
3	FANNING MILL (UPPER)	402605M1	1	1003428	4014486464238
4	HYDRAULIC PUMP DRIVE	402604M1	1	1003390	4014486462579
5	BEATER DRIVE	402608M3	1	No AP	
8	TRACTION (UPPER)	412333M1	1	1003574	4014486497403
8	TRACTION (UPPER)	905921M1	1	1004743	4014486720303
9	TRACTION (LOWER)	401110M1	1	1001160	4014486497397
10	REDUCER	412237M1	1	1000886	4014486473278
11	AUGER DRIVE (FRONT)	412399M1	1	1000557	4014486468519
12	KNIFE DRIVE	402607M1	1	1003515	4014486469653
15	FANNING MILL	402604M1	1	1003390	4014486462579

86 OLD

1	TRACTION DRIVE	412333M1	1	1003574	4014486497403
2	TRACTION DRIVE	401110M1	1	1001160	4014486497397
3	HYDRAULIC PUMP DRIVE	403041M1	1	1000206	4014486462463
5	KNIFE DRIVE	402607M1	1	1003515	4014486469653
6	BEATER BEHIND CYLINDER	402608M3	1	No AP	
7	KNIFE DRIVE (UPPER)	412237M1	1	1000886	4014486473278
8	FEEDER AUGER	412399M1	1	1000557	4014486468519
9	STRAW BALER	328656M1	1	1000527	4014486468076
10	FANNING MILL	402604M1	1	1003390	4014486462579
11	FANNING MILL (UPPER)	402605M1	1	1003428	4014486464238
12	TANK UNLOADER DRIVE	412074M1	1	1003402	4014486463170
13	FEEDER DRIVE	412236M1	1	1003530	4014486470369



MASSEY FERGUSON

87 (F)

1	TABLE FEEDER DRUM	412236M1	1	1003530	4014486470369
2	TANK UNLOADER DRIVE	412074M1	1	1003402	4014486463170
3	FANNING MILL (UPPER)	402605M1	1	1003428	4014486464238
4	HYDRAULIC PUMP DRIVE	417468M1	1	1003397	4014486462821
5	BEATER DRIVE	402608M3	1	No AP	
8	TRACTION (UPPER)	905921M1	1	1004743	4014486720303
9	TRACTION (LOWER)	401110M1	1	1001160	4014486497397
10	REDUCER	412237M1	1	1000886	4014486473278
11	AUGER DRIVE (FRONT)	412399M1	1	1000557	4014486468519
12	KNIFE DRIVE	402607M1	1	1003515	4014486469653
15	FANNING MILL	621262M1	1	1003334	4014486462586

87 OLD

1	TRACTION DRIVE	412333M1	1	1003574	4014486497403
2	TRACTION DRIVE	401110M1	1	1001160	4014486497397
3	HYDRAULIC PUMP DRIVE	403041M1	1	1000206	4014486462463
5	KNIFE DRIVE	402607M1	1	1003515	4014486469653
6	BEATER BEHIND CYLINDER	402608M3	1	No AP	
7	KNIFE DRIVE (UPPER)	412237M1	1	1000886	4014486473278
8	FEEDER AUGER	412399M1	1	1000557	4014486468519
9	STRAW BALER	328656M1	1	1000527	4014486468076
10	FANNING MILL	402604M1	1	1003390	4014486462579
11	FANNING MILL (UPPER)	402605M1	1	1003428	4014486464238
12	TANK UNLOADER DRIVE	412074M1	1	1003402	4014486463170
13	FEEDER DRIVE	412236M1	1	1003530	4014486470369

CHALLENGER 660

1	UNLOADING DRIVE	101102M1	1	1001662	4014486486186
2	ELEVATOR DRIVE (SERIAL NR. ... - HP87101) GRAIN	227455M1	1	1000698	4014486470802
3	ELEVATOR DRIVE (SERIAL NR. HP87101 - ...) GRAIN	71403685	1	1004121	4014486522952
4	SHAKER SHOE PITMAN DRIVE	71390199	1	1003933	4014486485301
5	BEATER DRIVE	71386352	1	1001900	4014486489606
6	MAIN COUNTERSHAFT DRIVE	71390188	1	1001877	4014486489255
7	TANDEM PUMP DRIVE (SERIAL NR. ... - HR87101)	71418976	1	1003716	4014486519839
8	TANDEM PUMP DRIVE (SERIAL NR. HR87101 - ...)	71418984	1	1004614	4014486717440
9	HEADER COUNTERSHAFT TO PIVOT SHAFT (SERIAL NR. HP87101 - ...)	71398388	1	1001391	4014486475098
10	BEATER TO HEADER COUNTERSHAFT DRIVE (SERIAL NR. ... - HP87101)	71379105	1	1001170	4014486491814
12	RETURN ELEVATOR DRIVE	71385801	1	1003628	4014486519013
13	CHOPPER DRIVE - 2ND STAGE (SERIAL NR. ... - HR87101)	71388712	1	1000821	4014486472479
14	CHOPPER DRIVE - 2ND STAGE (SERIAL NR. HR87101 - ...)	71406339	1	1003617	4014486486780
15	SPREADER DRIVE	1680230W1	1	1004118	4014486522921
16	SPREADER JACKSHAFT DRIVE	227455M1	1	1000698	4014486470802
18	CHOPPER DRIVE - 1ST STAGE (SERIAL NR. HR87101 - ...)	71406361	1	1001645	4014486485974
19	AIR CONDITIONING COMPRESSOR DRIVE	71148120	1	1002556	4014486494983
24	BEATER TO FEEDER HOUSE JACKSHAFT DRIVE (SERIAL NR. HP87101 - ...)	71398384	1	1004135	4014486523171
25	VARIABLE SPEED TO HEADER COUNTERSHAFT (SERIAL NR. HP87101 - ...)	71399505	1	No AP	
26	JACKSHAFT - HEADER COUNTERSHAFT (SERIAL NR. HP87101 - ...)	71399519	1	1001148	4014486490121
27	ROTARY SCREEN DRIVE (SERIAL NR. HR87101 - ...)	71396754	1	1003660	4014486518399

CHALLENGER 660 B

3	SHAKER SHOE PITMAN DRIVE	71390199	1	1003933	4014486485301
4	BEATER DRIVE	71388216	1	1004622	4014486717525
5	MAIN COUNTERSHAFT DRIVE	71390188	1	1001877	4014486489255



MASSEY FERGUSON

6	TANDEM PUMP DRIVE	71418984	1	1004614	4014486717440
7	FEEDER PIVOT SHAFT DRIVE	71427255	1	1000801	4014486472202
9	RETURN ELEVATOR DRIVE	71385801	1	1003628	4014486519013
10	CHOPPER DRIVE - 2ND STAGE	71406339	1	1003617	4014486486780
11	SPREADER DRIVE (SECONDARY)	1680230W1	1	1004118	4014486522921
13	CHOPPER DRIVE - 1ST STAGE	71406338	1	1001648	4014486486001
14	AIR CONDITIONING COMPRESSOR DRIVE	71148120	1	1002556	4014486494983
16	BEATER TO FEEDER HOUSE JACKSHAFT	71398384	1	1004135	4014486523171
17	VARIABLE SPEED TO HEADER COUNTERSHAFT	71399505	1	No AP	
18	JACKSHAFT - HEADER COUNTERSHAFT	71399519	1	1001148	4014486490121
19	ROTARY SCREEN DRIVE	71396754	1	1003660	4014486518399

CHALLENGER 670

1	UNLOADING DRIVE	101102M1	1	1001662	4014486486186
2	ELEVATOR DRIVE (SERIAL NR. ... - HP87101) GRAIN	227455M1	1	1000698	4014486470802
3	ELEVATOR DRIVE (SERIAL NR. HP87101 - ...) GRAIN	71403685	1	1004121	4014486522952
4	SHAKER SHOE PITMAN DRIVE	71390199	1	1003933	4014486485301
5	BEATER DRIVE	71388216	1	1004622	4014486717525
6	MAIN COUNTERSHAFT DRIVE	71390188	1	1001877	4014486489255
7	ROTOR PUMP DRIVE (SERIAL NR. ... - HR36101)	71418976	1	1003716	4014486519839
8	PROPULSION PUMP DRIVE (SERIAL NR. HR36101 - ...)	71418984	1	1004614	4014486717440
9	HEADER COUNTERSHAFT TO PIVOT SHAFT (SERIAL NR. HP36101 - ...)	71398388	1	1001391	4014486475098
10	BEATER TO HEADER COUNTERSHAFT DRIVE (SERIAL NR. ... - HP36101)	71379105	1	1001170	4014486491814
12	RETURN ELEVATOR DRIVE	71385801	1	1003628	4014486519013
13	CHOPPER DRIVE - 2ND STAGE (SERIAL NR. ... - HR36101)	71388712	1	1000821	4014486472479
14	CHOPPER DRIVE - 2ND STAGE (SERIAL NR. HR36101 - ...)	71406339	1	1003617	4014486486780
15	SPREADER DRIVE	1680230W1	1	1004118	4014486522921
16	SPREADER JACKSHAFT DRIVE	227455M1	1	1000698	4014486470802
18	CHOPPER DRIVE - 1ST STAGE (SERIAL NR. HR36101 - ...)	71406361	1	1001645	4014486485974
19	AIR CONDITIONING COMPRESSOR DRIVE	71148120	1	1002556	4014486494983
24	BEATER TO FEEDER HOUSE JACKSHAFT DRIVE (SERIAL NR. HP36101 - ...)	71398384	1	1004135	4014486523171
25	VARIABLE SPEED TO HEADER COUNTERSHAFT (SERIAL NR. HP36101 - ...)	71399505	1	No AP	
26	JACKSHAFT - HEADER COUNTERSHAFT (SERIAL NR. HP36101 - ...)	71399519	1	1001148	4014486490121
27	ROTARY SCREEN DRIVE	71396754	1	1003660	4014486518399

CHALLENGER 670 B

3	SHAKER SHOE PITMAN DRIVE	71390199	1	1003933	4014486485301
4	BEATER DRIVE	71388216	1	1004622	4014486717525
5	MAIN COUNTERSHAFT DRIVE	71390188	1	1001877	4014486489255
6	ROTOR PUMP DRIVE	71418976	1	1003716	4014486519839
7	PROPULSION PUMP DRIVE	71418978	1	1003717	4014486519693
8	FEEDER PIVOT SHAFT DRIVE	71427255	1	1000801	4014486472202
10	RETURN ELEVATOR DRIVE	71385801	1	1003628	4014486519013
11	CHOPPER DRIVE - 2ND STAGE	71406339	1	1003617	4014486486780
12	SPREADER DRIVE (SECONDARY)	1680230W1	1	1004118	4014486522921
14	CHOPPER DRIVE - 1ST STAGE	71406338	1	1001648	4014486486001
15	AIR CONDITIONING COMPRESSOR DRIVE	71148120	1	1002556	4014486494983
17	BEATER TO FEEDER HOUSE JACKSHAFT	71398384	1	1004135	4014486523171
18	VARIABLE SPEED TO HEADER COUNTERSHAFT	71399505	1	No AP	
19	JACKSHAFT - HEADER COUNTERSHAFT	71399519	1	1001148	4014486490121
20	ROTARY SCREEN DRIVE	71396754	1	1003660	4014486518399



MASSEY FERGUSON

CHALLENGER 680 B

2	ELEVATOR DRIVE GRAIN	71403685	1	1004121	4014486522952
3	SHAKER SHOE PITMAN DRIVE	71390199	1	1003933	4014486485301
4	BEATER DRIVE	71388216	1	1004622	4014486717525
5	MAIN COUNTERSHAFT DRIVE	71403721	1	1002009	4014486491395
6	ROTOR PUMP DRIVE	71406285	1	1001961	4014486490695
7	PROPULSION PUMP DRIVE	71406286	1	1001831	4014486488548
8	FEEDER CONVEYOR DRIVE	71427255	1	1000801	4014486472202
10	CHOPPER DRIVE - 1ST STAGE	71406338	1	1001648	4014486486001
11	SPREADER DRIVE (SECONDARY)	1680230W1	1	1004118	4014486522921
12	CHOPPER DRIVE - 2ND STAGE	71406339	1	1003617	4014486486780
13	BEATER TO FEEDER HOUSE JACKSHAFT	71398384	1	1004135	4014486523171
14	JACKSHAFT - HEADER COUNTERSHAFT	71399519	1	1001148	4014486490121
18	RETURN ELEVATOR DRIVE	71385801	1	1003628	4014486519013
19	ROTARY SCREEN DRIVE	71396754	1	1003660	4014486518399

MF 27

1	FEEDER DRUM - COUNTERSHAFT	41983500	1	1000611	4014486469493
3	COUNTERSHAFT (UPPER) - FEEDER SHAFT	41989200	1	1000908	4014486473568
3	COUNTERSHAFT (UPPER) - FEEDER SHAFT	41989400	1	1000911	4014486473605
4	FEEDER SHAFT (UPPER) - STRIPPER BEATER	41991700	1	1001844	4014486488739
7	INTERMEDIATE SHAFT - ECCENTRIC SHAFT	41982400	1	1003501	4014486469059
8	AUGER - LOWER RETURN AUGER (GRAIN)	41990100	1	1001377	4014486474916
9	INTERMEDIATE SHAFT - COUNTER SELECTOR	41987800	1	1000620	4014486469608
9	COUNTER SELECTOR - INTERMEDIATE SHAFT	41988000	1	1000698	4014486470802
10	STRIPPER BEATER - COUNTER SELECTOR	41934800	3	1002768	4014486465228
11	COUNTER SELECTOR - ENGINE	41993400	1	1003633	4014486488609
12	ENGINE - HYDRAULIC PUMP	41929000	1	1000251	4014486463897
12	ENGINE - HYDRAULIC PUMP	41930200	1	1000260	4014486464108
12	ENGINE - HYDRAULIC PUMP	D41929000	1	1000251	4014486463897
13	COUNTER SELECTOR - COUNTER DRIVE STRAW CHOPPER	41942100	1	1000404	4014486466676
14	COUNTER DRIVE STRAW CHOPPER	41987300	1	1000815	4014486472400
15	AWNER SHAFT	41912400	1	1003381	4014486461732
18	COUNTER SELECTOR - DISCHARGE AUGER	41936200	2	1002770	4014486465648
20	FILLING AUGER - STRIPPER BEATER	41982500	1	1000585	4014486469066
25	MAIN FAN SELECTOR - STRIPPER BEATER	41987900	1	1000575	4014486468847
28	MAIN FAN SELECTOR - MAIN FAN	41982200	1	1003499	4014486469004
28	MAIN FAN SELECTOR - MAIN FAN	41987900	1	1000575	4014486468847

MF 29

1	FEEDER DRUM - COUNTERSHAFT	41983500	1	1000611	4014486469493
1	FEEDER DRUM - COUNTERSHAFT	41983600	1	1000611	4014486469493
2	CRANKSHAFT - COUNTERSHAFT	41963900	1	1000233	4014486463293
3	COUNTERSHAFT (UPPER) - FEEDER SHAFT	41989200	1	1000908	4014486473568
3	COUNTERSHAFT - UPPER BEATER SHAFT	41989400	1	1000911	4014486473605
4	FEEDER SHAFT (UPPER) - STRIPPER BEATER	41991700	1	1001844	4014486488739
7	INTERMEDIATE SHAFT - ECCENTRIC SHAFT	41982400	1	1003501	4014486469059
7	INTERMEDIATE SHAFT - ECCENTRIC SHAFT	41982500	1	1000585	4014486469066
8	AUGER - LOWER RETURN AUGER (GRAIN)	41990100	1	1001377	4014486474916
8	AUGER - LOWER RETURN AUGER (GRAIN)	41990400	1	1003581	4014486474930
9	COUNTER SELECTOR - INTERMEDIATE SHAFT	41987800	1	1000620	4014486469608
9	COUNTER SELECTOR - INTERMEDIATE SHAFT	41988000	1	1000698	4014486470802
10	STRIPPER BEATER - COUNTER SELECTOR	41934800	3	1002768	4014486465228
11	COUNTER SELECTOR - ENGINE	41993400	1	1003633	4014486488609



MASSEY FERGUSON

12	ENGINE - HYDRAULIC PUMP	41929000	1	1000251	4014486463897
12	ENGINE - HYDRAULIC PUMP	41930200	1	1000260	4014486464108
12	ENGINE - HYDRAULIC PUMP	D41929000	1	1000251	4014486463897
13	COUNTER SELECTOR - COUNTER DRIVE STRAW CHOPPER	41942100	1	1000404	4014486466676
14	COUNTER DRIVE STRAW CHOPPER	41987300	1	1000815	4014486472400
15	AWNER SHAFT	41912300	1	1003380	4014486461749
15	AWNER SHAFT	41912400	1	1003381	4014486461732
16	COUNTER SELECTOR - THRESHING DRUM	41980900	1	1001526	4014486460452
16	COUNTER SELECTOR - THRESHING DRUM	D41980900	1	1001526	4014486460452
17	COUNTER SELECTOR - AWNER SHAFT	41990400	1	1003581	4014486474930
18	COUNTER SELECTOR - DISCHARGE AUGER	41936200	2	1002770	4014486465648
20	FILLING AUGER - STRIPPER BEATER	41982500	1	1000585	4014486469066
25	MAIN FAN VARIABLE SPEED DRIVE - STRIPPER BEATER	41987900	1	1000575	4014486468847
28	MAIN FAN SELECTOR - MAIN FAN	41982100	1	1000582	4014486469011
28	MAIN FAN SELECTOR - MAIN FAN	41982200	1	1003499	4014486469004
28	MAIN FAN VARIABLE SPEED DRIVE	41987900	1	1000575	4014486468847
MF 30					
1	STRIPPER BEATER - COUNTERSHAFT	41934800	3	1002768	4014486465228
2	COUNTERSHAFT (DIESEL ENGINE)	41990051	1	1001877	4014486489255
3	DISCHARGE AUGER SHAFT (DIESEL ENGINE)	41990050	1	1003600	4014486485196
5	COUNTERSHAFT - INTERMEDIATE DRIVE FOR STRAW	41942200	1	1000410	4014486466737
6	KNIFE DRIVE - COUNTERSHAFT	41985600	1	1000693	4014486470741
9	FEEDER SHAFT (UPPER) - STRIPPER BEATER	41991700	1	1001844	4014486488739
10	INTERMEDIATE SHAFT - ECCENTRIC SHAFT	41982100	1	1000582	4014486469011
11	INTERMEDIATE SHAFT - COUNTERSHAFT	41984100	1	1000655	4014486470185
12	INTERMEDIATE SHAFT - STRAW SHAKER CRANK	41990068	1	1001368	4014486474824
13	INTERMEDIATE SHAFT - STRAW CHOPPER	41978400	1	1001725	4014486487084
14	KNIFE DRIVE - COUNTERSHAFT	41986300	1	1000756	4014486471571
17	AIR CONDITIONING COMPRESSOR DRIVE	41991000	1	1002346	4014486478792
19	AIR CONDITIONING COMPRESSOR DRIVE - SUCTION TRAINER	41990009	1	1002357	4014486478907
21	DISCHARGE AUGER SHAFT - INTERMEDIATE DRIVE - ELEVATOR	41979600	1	1003347	4014486486285
23	INTERMEDIATE SHAFT - FILL ELEVATOR - STRIP BEATER	41950100	1	1000627	4014486469776
25	COUNTERSHAFT - GRAIN SEPARATOR	41982100	1	1000582	4014486469011
26	MAIN FAN VARIABLE SPEED DRIVE	41982100	1	1000582	4014486469011
27	MAIN FAN VARIABLE SPEED DRIVE - STRIPPER BEATER	41987900	1	1000575	4014486468847
28	COUNTERSHAFT - THRESHING DRUM	41980900	1	1001526	4014486460452
28	COUNTERSHAFT - THRESHING DRUM	D41980900	1	1001526	4014486460452
29	MAIN FAN VARIABLE SPEED DRIVE - RETURN ELEVATOR	41950400	1	1003517	4014486469691
MF 31					
1	COUNTERSHAFT - FEEDER DRUM	41983500	1	1000611	4014486469493
1	COUNTERSHAFT - FEEDER DRUM	41983600	1	1000611	4014486469493
2	COUNTERSHAFT - CRANKSHAFT	41963900	1	1000233	4014486463293
3	COUNTERSHAFT - STRIPPER BEATER	41989200	1	1000908	4014486473568
3	COUNTERSHAFT - STRIPPER BEATER	41989400	1	1000911	4014486473605
4	FEEDER SHAFT (UPPER) - STRIPPER BEATER	41991700	1	1001844	4014486488739
7	INTERMEDIATE SHAFT - ECCENTRIC SHAFT	41982400	1	1003501	4014486469059
7	INTERMEDIATE SHAFT - ECCENTRIC SHAFT	41982500	1	1000585	4014486469066
8	AUGER - LOWER RETURN AUGER (GRAIN)	41990069	1	1001378	4014486474923
8	AUGER - LOWER RETURN AUGER (GRAIN)	41990100	1	1001377	4014486474916
8	AUGER - LOWER RETURN AUGER (GRAIN)	41990400	1	1003581	4014486474930
9	COUNTER SELECTOR - INTERMEDIATE SHAFT	41987800	1	1000620	4014486469608
9	COUNTER SELECTOR - INTERMEDIATE SHAFT	41988000	1	1000698	4014486470802
10	STRIPPER BEATER - COUNTER SELECTOR	41934800	3	1002768	4014486465228



MASSEY FERGUSON

11	COUNTER SELECTOR - ENGINE	41991300	1	1001836	4014486488616
11	COUNTER SELECTOR - ENGINE	41993400	1	1003633	4014486488609
12	ENGINE - HYDRAULIC PUMP	41930200	1	1000260	4014486464108
13	COUNTER SELECTOR - COUNTER DRIVE STRAW CHOPPER	41942100	1	1000404	4014486466676
14	COUNTER DRIVE STRAW CHOPPER	41987600	1	1000853	4014486472844
15	AWNER SHAFT	41912300	1	1003380	4014486461749
15	AWNER SHAFT	41912400	1	1003381	4014486461732
16	COUNTER SELECTOR - THRESHING DRUM	41980900	1	1001526	4014486460452
16	COUNTER SELECTOR - THRESHING DRUM	D41980900	1	1001526	4014486460452
17	COUNTER SELECTOR - AWNER SHAFT	41990069	1	1001378	4014486474923
17	COUNTER SELECTOR - AWNER SHAFT	41990400	1	1003581	4014486474930
18	COUNTER SELECTOR - DISCHARGE AUGER	41936200	2	1002770	4014486465648
20	FILLING AUGER - STRIPPER BEATER	41982500	1	1000585	4014486469066
25	MAIN FAN SELECTOR - STRIPPER BEATER	41987900	1	1000575	4014486468847
28	MAIN FAN SELECTOR - MAIN FAN	41982100	1	1000582	4014486469011
28	MAIN FAN SELECTOR - MAIN FAN	41982200	1	1003499	4014486469004
28	MAIN FAN SELECTOR - MAIN FAN	41987900	1	1000575	4014486468847

MF 32

1	STRIPPER BEATER - COUNTERSHAFT	41934800	3	1002768	4014486465228
2	COUNTERSHAFT (DIESEL ENGINE)	41990051	1	1001877	4014486489255
3	DISCHARGE AUGER SHAFT (DIESEL ENGINE)	41990050	1	1003600	4014486485196
5	COUNTERSHAFT - INTERMEDIATE DRIVE FOR STRAW	41942200	1	1000410	4014486466737
6	KNIFE DRIVE - COUNTERSHAFT	41985600	1	1000693	4014486470741
9	FEEDER SHAFT (UPPER) - STRIPPER BEATER	41991700	1	1001844	4014486488739
10	INTERMEDIATE SHAFT - ECCENTRIC SHAFT	41982100	1	1000582	4014486469011
11	INTERMEDIATE SHAFT - COUNTERSHAFT	41984100	1	1000655	4014486470185
12	INTERMEDIATE SHAFT - STRAW SHAKER CRANK	41990068	1	1001368	4014486474824
13	INTERMEDIATE SHAFT - STRAW CHOPPER	41978400	1	1001725	4014486487084
14	KNIFE DRIVE - COUNTERSHAFT	41986300	1	1000756	4014486471571
17	AIR CONDITIONING COMPRESSOR DRIVE	41991000	1	1002346	4014486478792
19	AIR CONDITIONING COMPRESSOR DRIVE - SUCTION TRAINER	41990009	1	1002357	4014486478907
21	DISCHARGE AUGER SHAFT - INTERMEDIATE DRIVE - ELEVATOR	41979600	1	1003347	4014486486285
23	INTERMEDIATE SHAFT - FILL ELEVATOR - STRIP BEATER	41950100	1	1000627	4014486469776
25	COUNTERSHAFT - GRAIN SEPARATOR	41982100	1	1000582	4014486469011
26	MAIN FAN VARIABLE SPEED DRIVE	41982100	1	1000582	4014486469011
27	MAIN FAN VARIABLE SPEED DRIVE - STRIPPER BEATER	41987900	1	1000575	4014486468847
28	COUNTERSHAFT - THRESHING DRUM	41980900	1	1001526	4014486460452
28	COUNTERSHAFT - THRESHING DRUM	D41980900	1	1001526	4014486460452
29	MAIN FAN VARIABLE SPEED DRIVE - RETURN ELEVATOR	41950400	1	1003517	4014486469691

MF 34

11		41979800	1	1001990	4014486491104
12		41990001	1	1002212	4014486477634
29		41981000	1	1001539	4014486460582

MF 38

1	STRIPPER BEATER - COUNTERSHAFT	41979900	1	1003576	4014486492217
3	DISCHARGE AUGER SHAFT (DIESEL ENGINE)	41979100	1	1001607	4014486485332
5	COUNTERSHAFT - INTERMEDIATE DRIVE FOR STRAW	41979600	1	1003347	4014486486285
6	INTERMEDIATE SHAFT - STRAW CHOPPER	41978900	1	1001730	4014486487145
7	KNIFE DRIVE - COUNTERSHAFT	41985600	1	1000693	4014486470741
10	STRIPPER BEATER	41979800	1	1001990	4014486491104
11	STRIPPER BEATER - INTERMEDIATE SHAFT	41990001	1	1002212	4014486477634
12	INTERMEDIATE SHAFT - ECCENTRIC SHAFT	41933700	2	1002760	4014486464993

