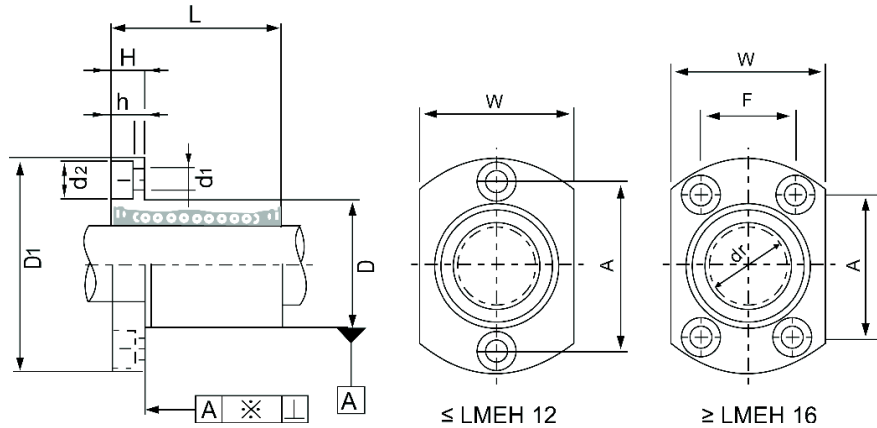


## LMH / LMEH TÍPUS (EURÓPAI SZABVÁNY) LMH / LMEH TYPE (EUROPEAN SERIES)



| Cikkszám<br>Code             | Típus<br>Type | Golyó<br>sorok<br>Ball<br>circuit | dr   |         | D    |      | L<br>(±0,3) | D1 | W  | A  | F  | H          | d1xd2xh     | Excentrikusság<br>Eccentricity<br>(max.) | Radiális<br>eltérés<br>Radial<br>clearance<br>(max.) | Terhelés<br>Load |      | Tömeg<br>Weight |
|------------------------------|---------------|-----------------------------------|------|---------|------|------|-------------|----|----|----|----|------------|-------------|--|--|------------------|------|-----------------|
|                              |               |                                   | (mm) | (μm)    | (mm) | (μm) |             |    |    |    |    |            |             |  |  | (N)              | (g)  |                 |
| <b>LMEH európai szabvány</b> |               |                                   |      |         |      |      |             |    |    |    |    |            |             |  |  |                  |      |                 |
| 84.015.005                   | LMEH 12UU     | 4                                 | 12   | +8 / 0  | 21   | 0    | 30          | 42 | 32 | 32 | -  | 6          | 4,5x7,5x4,1 | 12                                       | -4   | 510              | 784  | 80              |
| 84.015.006                   | LMEH 16UU     | 5                                 | 16   | +9      | 28   | -9   | 37          | 48 | 34 | 31 | 22 | 6          | 1,5x7,5x4,1 |  |  | 578              | 892  | 103             |
| 84.015.007                   | LMEH 20UU     | 5                                 | 20   | +1      | 32   | 0    | 42          | 54 | 38 | 36 | 24 | 8          | 5,5x9x5,1   | 15                                       | -6   | 862              | 1370 | 182             |
| 84.015.008                   | LMEH 25UU     | 6                                 | 25   | +11     | 40   | -11  | 59          | 62 | 46 | 40 | 32 | 8          | 5,5x9x5,1   |  |  | 980              | 1570 | 335             |
| 84.015.009                   | LMEH 30UU     | 6                                 | 30   | -1      | 45   |      | 64          | 74 | 51 | 49 | 35 | 10         | 6,6x11x6,1  |  |  | 1570             | 2740 | 560             |
| <b>LMH ázsiai szabvány</b>   |               |                                   |      |         |      |      |             |    |    |    |    |            |             |  |  |                  |      |                 |
| 84.098.002                   | LMH 06UU      | 4                                 | 6    | 0<br>-9 | 12   | 0    | 19          | 28 | 18 | 20 | -  | 5          | 3,5x6x3,1   | 12                                       | -3   | 206              | 265  | 24              |
| 84.098.003                   | LMH 08UU      | 4                                 | 8    |         | 15   | -11  | 24          | 32 | 21 | 24 | -  | 5          | 3,5x6x3,1   |  |  | 274              | 392  | 37              |
| 84.098.004                   | LMH 10UU      | 4                                 | 10   |         | 19   |      | 29          | 40 | 25 | 29 | -  | 6          | 4,5x7,5x4,1 |  |  | 372              | 549  | 72              |
| 84.098.005                   | LMH 12UU      | 4                                 | 12   |         | 21   | 0    | 30          | 42 | 27 | 32 | -  | 6          | 4,5x7,5x4,1 |  | -4   | 510              | 784  | 76              |
| 84.098.023                   | LMH 13UU      | 4                                 | 13   |         | 23   | -13  | 32          | 43 | 29 | 33 | -  | 6          | 4,5x7,5x4,1 |  |  | 510              | 784  | 88              |
| 84.098.007                   | LMH 16UU      | 5                                 | 16   |         | 28   |      | 37          | 48 | 34 | 31 | 22 | 6          | 4,5x7,5x4,1 |  |  | 774              | 1180 | 120             |
| 84.098.009                   | LMH 20UU      | 5                                 | 20   |         | 32   | 0    | 42          | 54 | 38 | 36 | 24 | 8          | 5,5x9x5,1   |  |  | -6               | 882  | 1370            |
| 84.098.011                   | LMH 25UU      | 6                                 | 25   | 40      | 0    | 59   | 62          | 46 | 40 | 32 | 8  | 5,5x9x5,1  | 980         | 1570                                     | 340  |                  |      |                 |
| 84.098.013                   | LMH 30UU      | 6                                 | 30   | 45      | -16  | 64   | 74          | 51 | 49 | 35 | 10 | 6,6x11x6,1 | 1570        | 2740                                     | 470  |                  |      |                 |