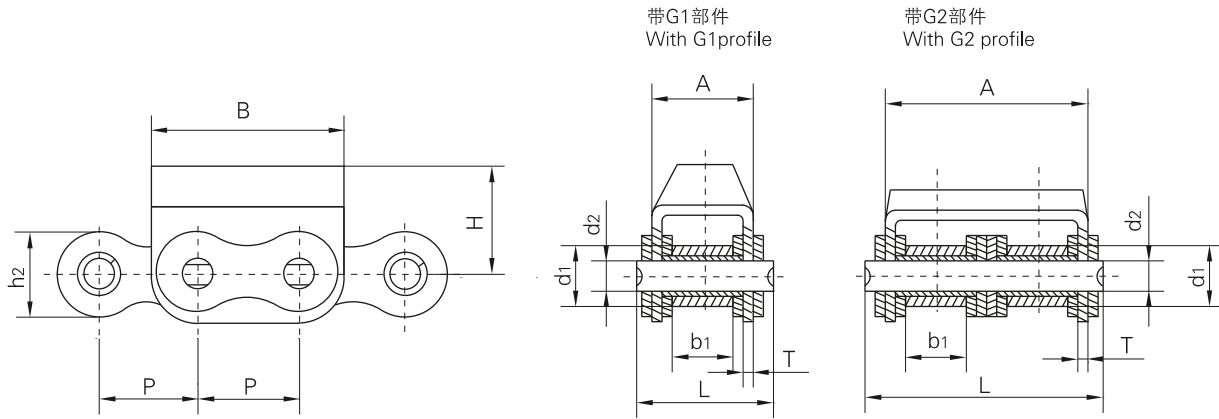
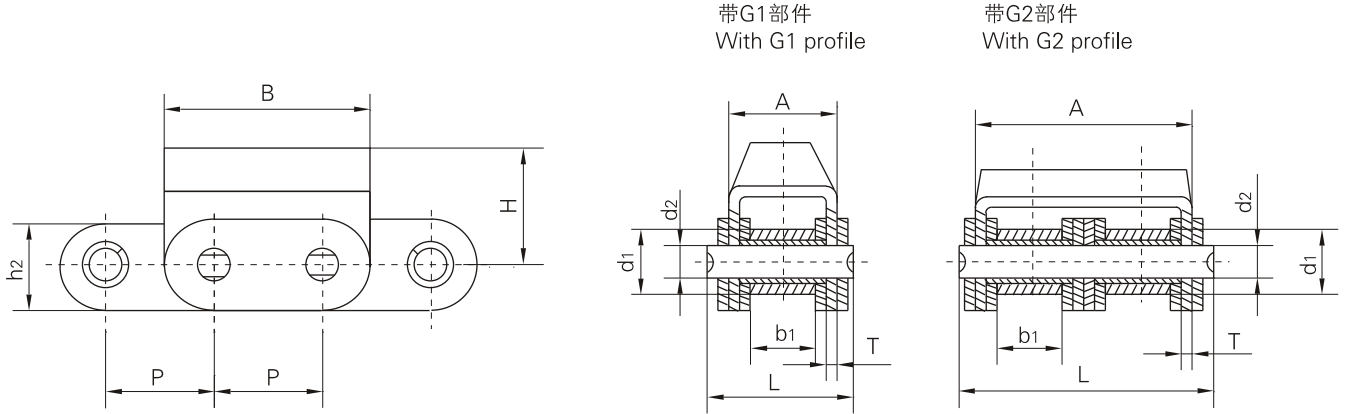


顶面橡胶滚子链  
Roller chain with vulcanized elastomer profiles



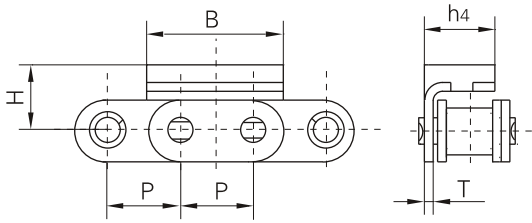
Vision Chain No.	节距 Pitch	滚子直径 Roller diameter	内节内宽 Width between inner plates	销轴直径 Pin diameter	销轴长度 Pin length	链板、附板尺寸 Plate and attachment dimension					极限拉伸载荷 Ultimate tensile strength	每米长重 Weight per meter
	P	d <sub>1</sub> max	b <sub>1</sub> min	d <sub>2</sub> max	L max	h <sub>2</sub> max	A	B	H	T	Q min	q
	mm	mm	mm	mm	mm	mm	mm	mm	mm	mm	kN/LB	kg/m
08B-G1	12.70	8.51	7.75	4.45	20.0	11.8	14.6	24.2	12.3	1.60	18.0/4091	1.19
08B-G2	12.70	8.51	7.75	4.45	34.3	11.8	28.4	24.2	12.3	1.50	32.0/7273	2.07
10B-G1	15.875	10.16	9.65	5.08	23.2	14.7	16.8	30.0	17.0	1.60	19.0/4318	1.62
10B-G2	15.875	10.16	9.65	5.08	39.7	14.7	33.3	30.0	17.0	1.50	44.5/10114	2.56
12B-G1	19.05	12.07	11.68	5.72	25.7	16.0	19.6	36.0	21.0	1.85	29.0/6591	2.01
12B-G2	19.05	12.07	11.68	5.72	45.3	16.0	39.1	36.0	16.0	1.85	57.8/13136	3.21
12A-G1	19.05	11.91	12.57	5.94	29.9	18.0	21.4	37.1	21.0	1.85	31.8/7153	2.55
12AF1-G1	19.05	11.91	17.00	5.94	34.0	18.0	26.0	36.0	16.0	1.85	31.8/7153	2.62
16A-G1	25.40	15.88	15.75	7.92	37.2	24.0	27.5	46.0	20.0	2.42	42.0/9545	3.97
16A-G2	25.40	15.88	15.75	7.92	68.0	24.0	57.2	46.0	20.0	2.42	84/18896	7.27
16B-G1	25.40	15.88	17.02	8.28	39.7	21.0	29.1	49.0	21.4	1.60	58.0/13047	3.83
20A-G1	31.75	19.05	18.90	9.53	46.8	30.0	34.0	57.6	28.0	3.10	86.7/19503	6.15
20B-G1	31.75	19.05	19.56	10.19	48.0	26.4	36.0	57.0	27.0	3.50	85.0/19318	6.19
24B-G1	38.10	25.40	25.40	14.63	61.6	33.2	47.0	72.6	34.0	4.50	160.0/36363	11.25

顶面橡胶滚子链  
Roller chain with vulcanized elastomer profiles



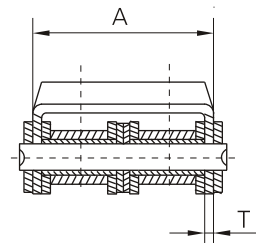
Vision Chain No.	节距	滚子直径	内节内宽	销轴直径	销轴长度	链板、附板尺寸					极限拉伸载荷	每米长重
	Pitch	Roller diameter	Width between inner plates	Pin diameter	Pin length	Plate and attachment dimension					Ultimate tensile strength	Weight per meter
	P	d <sub>1</sub> max	b <sub>1</sub> min	d <sub>2</sub> max	L max	h <sub>2</sub> max	A	B	H	T	Q min	q
mm	mm	mm	mm	mm	mm	mm	mm	mm	mm	mm	kN/LB	kg/m
C08B-G1	12.700	8.51	7.75	4.45	20.0	11.8	14.6	24.2	12.3	1.60	18.0/4091	1.30
C08B-G2	12.700	8.51	7.75	4.45	34.3	11.8	28.4	24.2	12.3	1.50	32.0/7273	2.29
C10B-G1	15.875	10.16	9.65	5.08	23.2	14.7	16.8	30.0	17.0	1.60	19.0/4318	1.75
C10B-G2	15.875	10.16	9.65	5.08	39.7	14.7	33.3	30.0	17.0	1.50	44.5/10114	2.95
C12B-G1	19.050	12.07	11.68	5.72	25.7	16.0	19.6	36.0	21.0	1.85	29.0/6591	2.15
C12B-G2	19.050	12.07	11.68	5.72	45.3	16.0	39.1	36.0	16.0	1.85	57.8/13136	3.48
C16A-G1	25.400	15.88	15.75	7.92	37.2	24.0	27.5	46.0	20.0	2.42	42.0/9545	4.34
C16B-G1	25.400	15.88	17.02	8.28	39.7	21.0	29.05	49.0	21.4	1.60	58.0/13047	4.11
C20B-G1	31.750	19.05	19.56	10.19	48.0	26.4	36.0	57.0	27.0	3.50	85.0/19318	6.65
C24B-G1	38.100	25.40	25.40	14.63	61.6	33.2	47.0	72.6	34.0	4.50	160.0/36363	11.63

頂面橡膠滾子鏈  
Roller chain with vulcanized elastomer profiles



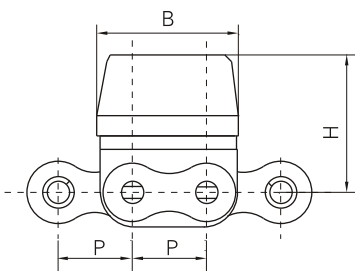
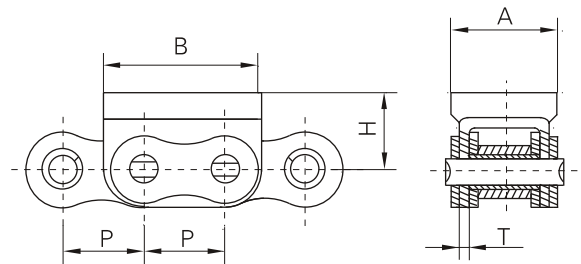
Vision Chain No.	P mm	B mm	H mm	h4 mm	T mm
06BF9	9.525	17.73	9.0	9.05	1.3

08B-G2F1

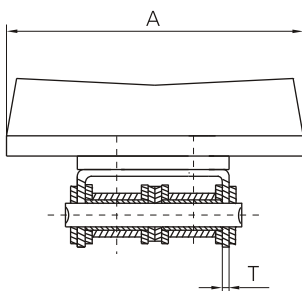


Vision Chain No.	P mm	A mm	B mm	H mm	T mm
08B-G1F1	12.7	18.0	24.2	12.3	1.6
08B-G2F1	12.7	28.4	24.2	12.0	1.5

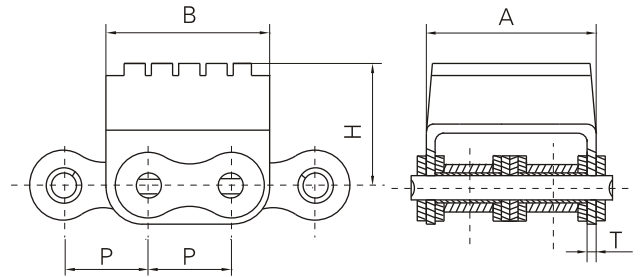
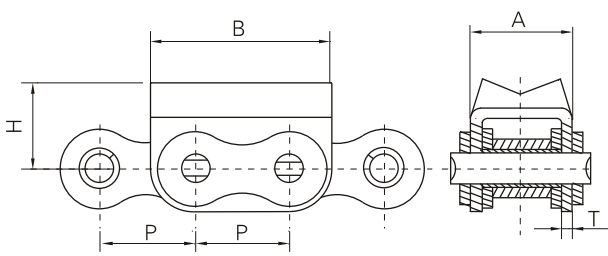
Vision Chain No.	P mm	A mm	B mm	H mm	T mm
10B-G1F2	15.875	25.0	30.0	14.0	1.6
10B-G1F3	15.875	20.0	30.0	18.0	1.6



Vision Chain No.	P mm	A mm	B mm	H mm	T mm
12B-G2F3	19.05	77.0	37.0	36.0	1.85
12B-G2F8	19.05	101.0	37.0	36.0	1.85

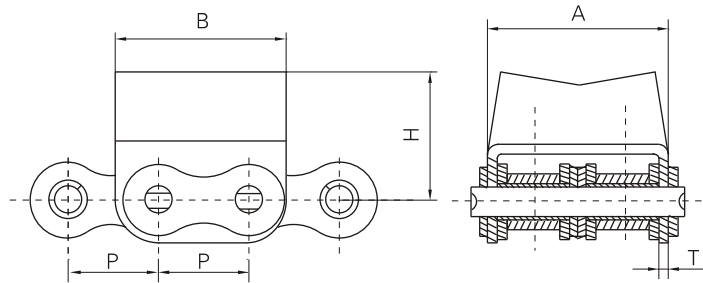


顶面橡胶滚子链  
Roller chain with vulcanized elastomer profiles



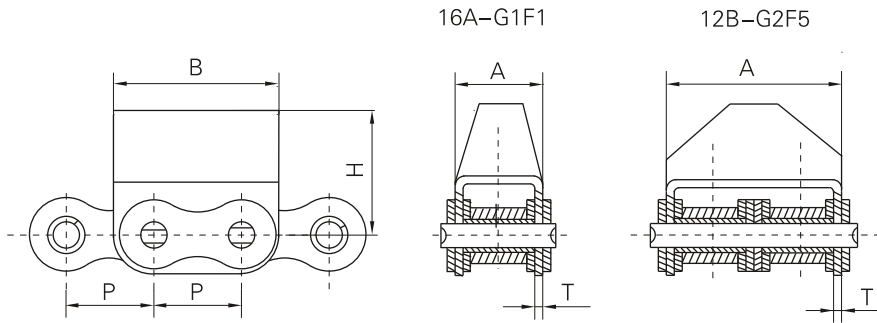
Vision Chain No.	P	A	B	H	T
	mm	mm	mm	mm	mm
12B-G1F1	19.05	19.6	36.0	18.0	1.85

Vision Chain No.	P	A	B	H	T
	mm	mm	mm	mm	mm
12B-G2F6	19.05	39.1	37.3	28.2	1.85

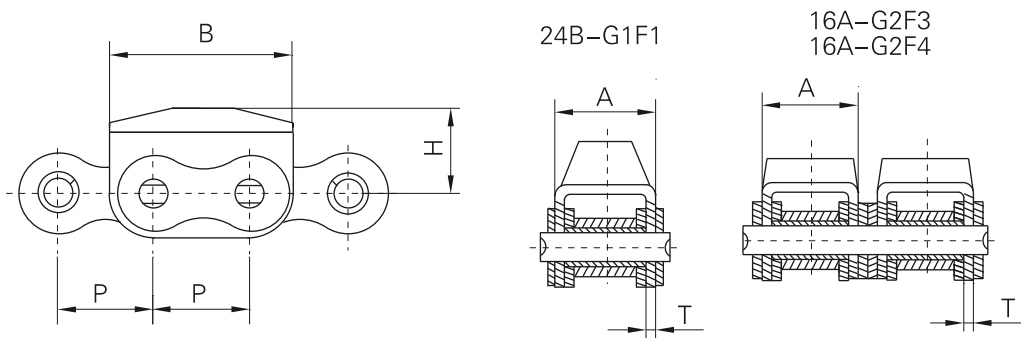


Vision Chain No.	P	A	B	H	T
	mm	mm	mm	mm	mm
12B-G2F4	19.05	39.1	36.0	27.5	1.85

顶面橡胶滚子链  
Roller chain with vulcanized elastomer profiles



Vision Chain No.	P	A	B	H	T
	mm	mm	mm	mm	mm
12B-G2F5	19.05	39.1	36.0	28.0	1.85
16A-G1F1	25.40	27.5	46.0	21.4	2.42



Vision Chain No.	P	A	B	H	T
	mm	mm	mm	mm	mm
16A-G2F3	25.4	27.5	49.0	21.4	2.42
16A-G2F4	25.4	27.0	49.2	20.0	2.03
24B-G1F1	38.1	47.0	72.6	34.0	4.5