

# L271



## T-HANDLE WITH THREADED STUD

**Material:**  
Reinforced polyamide.  
Oils and greases resistant.

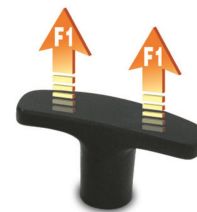
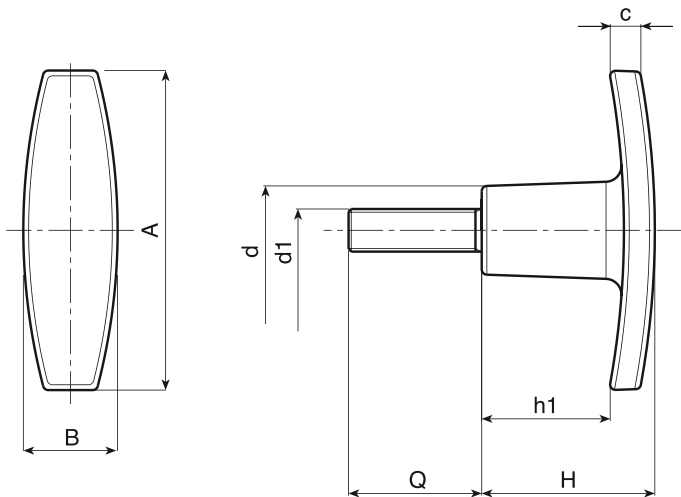
**Surface:**  
Satin.

**Colour:**  
Black (RAL 9011).

**Main Insert:**  
Zinc plated steel threaded stud (tolerance 6g).

### SPECIAL REQUESTS:

- It is possible to supply inserts in different lengths or by special design, on request and for quantities.
- It is possible to supply inserts in different materials, on request and for quantities.
- It is possible to supply colours as shown in the table on page L-31, on request and for quantities.



Art.	A	B	H	h1	c	d	LM	d1 6g	Q	⚖ g	F1 (N)
L27150.TM05X..01	50	15	24	17	5	14	30	M05	20-30	13-14	4100
L27150.TM06X..01	50	15	24	17	5	14	30	M06	15-20-30-40	14,5-15-16,5-18	4100
L27160.TM05X..01	60	18	33	24	6	16,5	30	M05	15-20-30	20-21	4100
L27160.TM06X..01	60	18	33	24	6	16,5	30	M06	20-30	23-25	5800
L27160.TM08X..01	60	18	33	24	6	16,5	30	M08	20-30-40	28-31-34	5800
L27160.TM10X..01	60	18	33	24	6	16,5	30	M10	20-30-40	30-35	5800
L27172.TM06X..01	72	19	34	20	10	18	80	M06	20-30-40	30-32-34	6500
L27172.TM08X..01	72	19	34	20	10	18	80	M08	20-30-40	39-42-45	6500
L27172.TM10X..01	72	19	34	20	10	18	80	M10	30-40	56-61	6500
L27172.TM12X..01	72	19	34	20	10	18	80	M12	30-40-50	58-64-71	6500

Enter the stud length choice in the two .. of the article code. Lengths by request with 250 pieces minimum quantity.

LM = Maximum mouldable length.

Presumable presence in the stock in %   
 90% ● 40% ● 5% ●