

H753



KNURLED SOLID HANDWHEEL WITH THREADED STUD

Material:
Reinforced polyamide.
Oils and greases resistant.

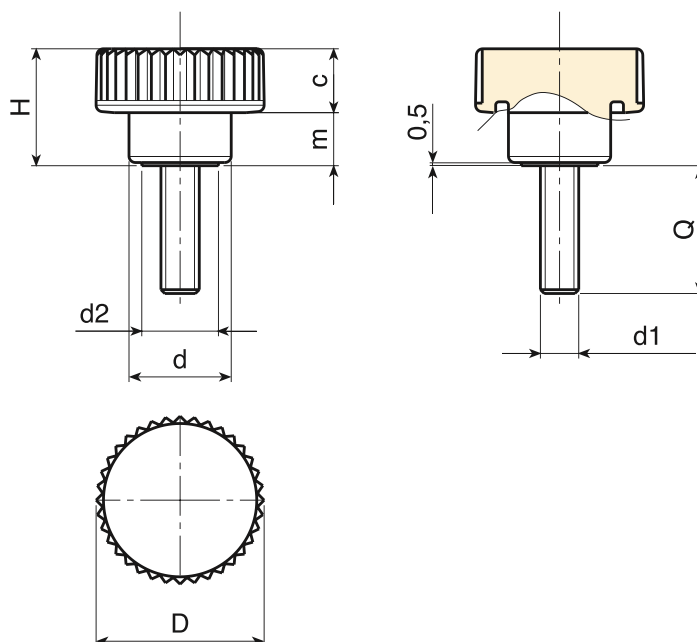
Surface:
Satin.

Colour:
Black (RAL 9011).

Main Insert:
Zinc plated steel threaded stud (tolerance 6g).

SPECIAL REQUESTS:

- It is possible to supply inserts in different lengths or by special design, on request and for quantities.
- It is possible to supply inserts in different materials, on request and for quantities.
- It is possible to supply colours as shown in the table on page H-23, on request and for quantities.



	art.	D	H	d	m	c	d2	LM	d1 6g	Q	Δ g
●	H75326.TM05X..01	26	18	16	8,5	9,5	12	50	M05	A.R.	-
	H75326.TM06X..01	26	18	16	8,5	9,5	12	50	M06	20-25	13-14
	H75326.TM08X..01	26	18	16	8,5	9,5	12	50	M08	20-30	20-22

Enter the stud length choice in the two .. of the article code. Lengths by request with 250 pieces minimum quantity.

LM = Maximum mouldable length.

A.R. = by request.