



Pillow Blocks

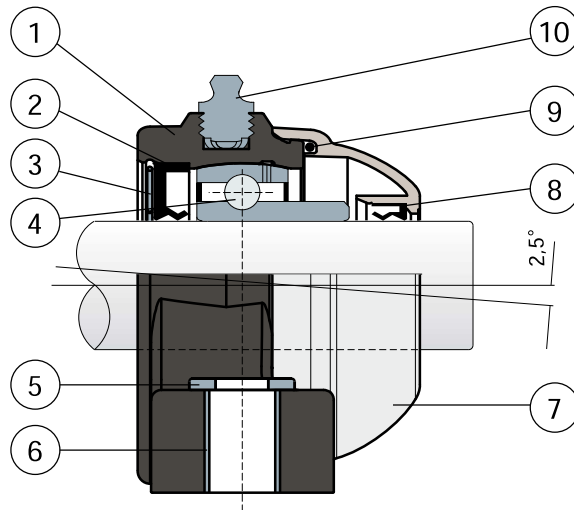
Serie **UCP/C**



NEW

New product line with support body in PA white colour.

Full protection of bearing



- 1) Support body made out of black or white polyamide reinforced with glass fibers.
- 2) Back gasket made out of NBR rubber for turning shaft seal.
- 3) Safety ring in stainless steel AISI 304.
- 4) Chrome steel or stainless steel bearing AISI 440.
- 5) UNI 6592 support washer made out of stainless steel AISI 304.
- 6) Spacer for fixing reinforcement made out of stainless steel AISI 304.
- 7) Protection cover made out of polypropylene (grey colour Ral 7042).
- 8) Front gasket made out of NBR rubber for turning shaft seal.
- 9) OR gasket made out of NBR rubber.
- 10) Greaser for relubrication made out of nickel-plated brass.

Support dimensions respect ISO 3228 set of rules.

Maximum shaft alignment error 2,5°.

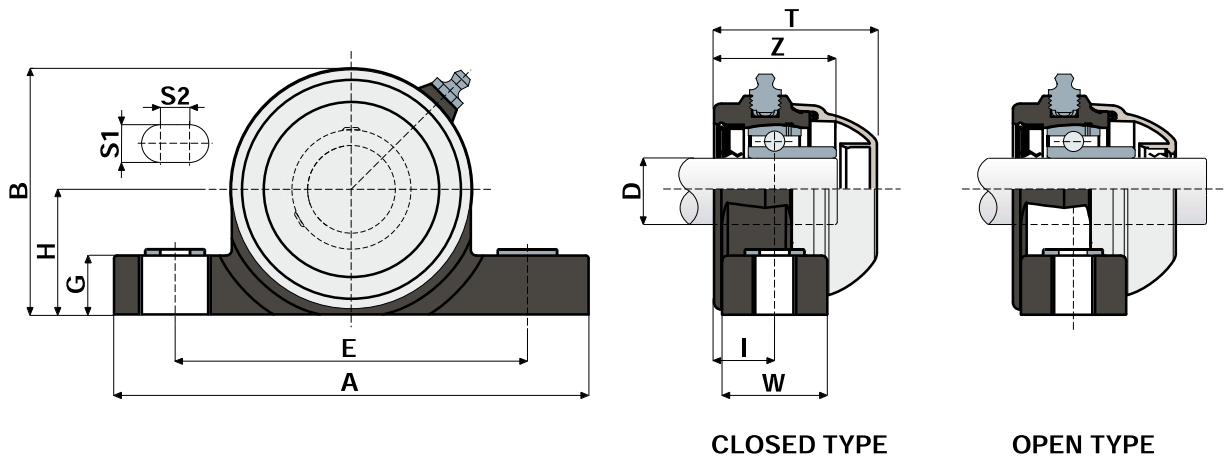
For further information please contact our technical office or sales department.



Pillow Blocks

Technical data

Serie **UCP/C**



CHROME STEEL BEARING																			
D	SERIE	CODES				DIMENSIONS (mm)											Bearing load (N)		Bearing support load (N)
		Black colour		White colour		E	A	S1	S2	G	H	B	I	W	Z	T	C	C0	
		Closed type	Open type	Closed type	Open type														
20	UCP 204 C	84076	84077	84758	84759	96	130	13	10	20	33,5	65,5	18	30	36	49	12800	6600	5750
25	UCP 205 C	83682	83683	84760	84761	106	140	13	10	20	36,5	71,5	19,6	35	39	51,7	14000	7800	6900
30	UCP 206 C	83684	83685	84762	84763	121	163	13	10	20	43	84,5	20,7	36	41,7	55,7	19500	11300	9200
35	UCP 207 C	83686	83687	84764	84765	126	168	13	10	20	47,6	93,3	22,7	39	48	61,8	25500	15300	11500

STAINLESS STEEL BEARING AISI 440																			
D	SERIE	CODES				DIMENSIONS (mm)											Bearing load (N)		Bearing support load (N)
		Black colour		White colour		E	A	S1	S2	G	H	B	I	W	Z	T	C	C0	
		Closed type	Open type	Closed type	Open type														
20	UCP 204 C	84078	84079	84766	84767	96	130	13	10	20	33,5	65,5	18	30	36	49	8300	6550	5750
25	UCP 205 C	83696	83697	84768	84769	106	140	13	10	20	36,5	71,5	19,6	35	39	51,7	9150	7800	6900
30	UCP 206 C	83698	83699	84770	84771	121	163	13	10	20	43	84,5	20,7	36	41,7	55,7	12500	11200	9200
35	UCP 207 C	83700	83701	84772	84773	126	168	13	10	20	47,6	93,3	22,7	39	48	61,8	16600	15300	11500

VERSIONS WITH MEASURES IN INCHES

CHROME STEEL BEARING																			
D (inches) (mm)	SERIE	CODES				DIMENSIONS (mm)											Bearing load (N)		Bearing support load (N)
		Black colour		White colour		E	A	S1	S2	G	H	B	I	W	Z	T	C	C0	
		Closed type	Open type	Closed type	Open type														
1" 25,4	UCP 205 C	84531	84532	84923	84924	106	140	13	10	20	36,5	71,5	19,6	35	39	51,7	14000	7800	6900
1" 1/4 31,75	UCP 206 C	84533	84534	84925	84926	121	163	13	10	20	43	84,5	20,7	36	41,7	55,7	19500	11300	9200

MATERIALS: Support made out of black or white colour PA+glass fiber; chrome steel or stainless steel bearing; greaser made out of nickel plated brass; reinforcement bushings, washers and safety ring made out of stainless steel AISI 304; gaskets made out of NBR rubber; cover made out of polypropylene, grey colour RAL 7042.

FEATURES: Full protection of bearing against external agents. Assembly with shouldered and not shouldered shafts. Maximum shaft alignment error 2,5°.

BOX QUANTITY: 8 pieces.

ON REQUEST: Versions with body in polypropylene + glass fiber and antibacterial additive; protection cover in different colors and with customized brand; box quantity according to your request; Viton gaskets, "Long life" bearings.



Pillow Blocks

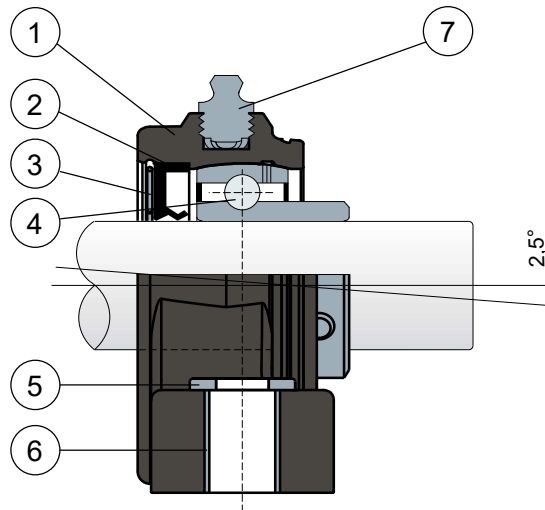
Serie **UCP/CX**



NEW

New product line with support body in PA white colour.

Without protection cover



- 1) Support body made out of black or white polyamide reinforced with glass fibers.
- 2) Back gasket made out of NBR rubber for turning shaft seal.
- 3) Safety ring in stainless steel AISI 304.
- 4) Chrome steel or stainless steel bearing AISI 440.
- 5) UNI 6592 support washer made out of stainless steel AISI 304.
- 6) Spacer for fixing reinforcement made out of stainless steel AISI 304.
- 7) Greaser for relubrication made out of nickel-plated brass.

Support dimensions respect ISO 3228 set of rules.

Maximum shaft alignment error 2,5°.

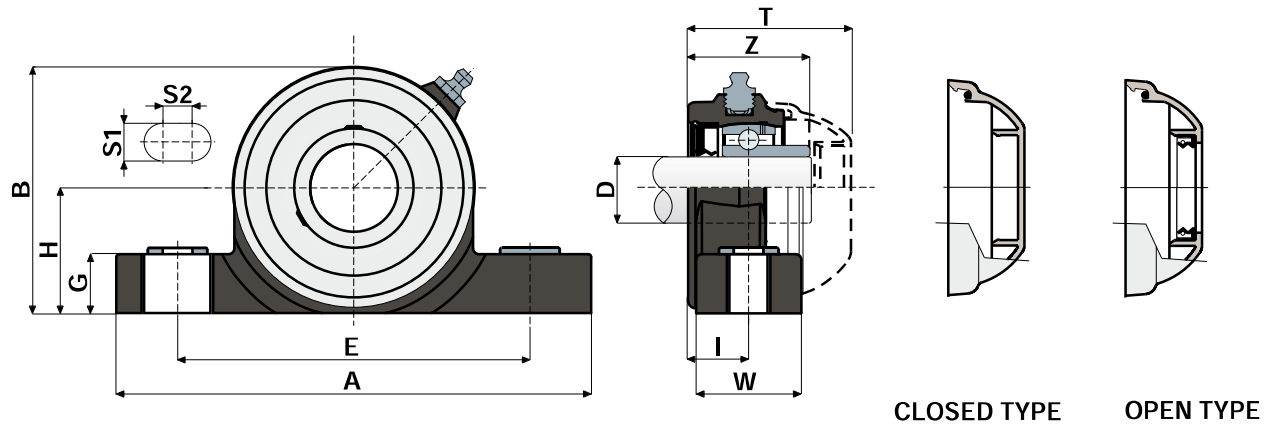
For further information please contact our technical office or sales department.



Pillow Blocks

Technical data

Serie **UCP/CX**



CHROME STEEL BEARING																			
D	SERIE	Support CODES		DIMENSIONS (mm)											Bearing load (N)		Bearing support load	COVER CODES	
		Black colour	White colour	E	A	S1	S2	G	H	B	I	W	Z	T	C	C0	(N)	Closed type	Open type
20	UCP 204 CX	84080	84774	96	130	13	10	20	33,5	65,5	18	30	36	49	12800	6600	5750	80254	80255
25	UCP 205 CX	83688	84775	106	140	13	10	20	36,5	71,5	19,6	35	39	51,7	14000	7800	6900	80075	80076
30	UCP 206 CX	83689	84776	121	163	13	10	20	43	84,5	20,7	36	41,7	55,7	19500	11300	9200	80011	80053
35	UCP 207 CX	83690	84777	126	168	13	10	20	47,6	93,3	22,7	39	48	61,8	25500	15300	11500	80077	80078

STAINLESS STEEL BEARING AISI 440																			
D	SERIE	Support CODES		DIMENSIONS (mm)											Bearing load (N)		Bearing support load	COVER CODES	
		Black colour	White colour	E	A	S1	S2	G	H	B	I	W	Z	T	C	C0	(N)	Closed type	Open type
20	UCP 204 CX	84081	84778	96	130	13	10	20	33,5	65,5	18	30	36	49	8300	6550	5750	80254	80255
25	UCP 205 CX	83702	84779	106	140	13	10	20	36,5	71,5	19,6	35	39	51,7	9150	7800	6900	80075	80076
30	UCP 206 CX	83703	84780	121	163	13	10	20	43	84,5	20,7	36	41,7	55,7	12500	11200	9200	80011	80053
35	UCP 207 CX	83704	84781	126	168	13	10	20	47,6	93,3	22,7	39	48	61,8	16600	15300	11500	80077	80078

VERSIONS WITH MEASURES IN INCHES

CHROME STEEL BEARING																			
D (inches)	SERIE	Support CODES		DIMENSIONS (mm)											Bearing load (N)		Bearing support load	COVER CODES	
		Black colour	White colour	E	A	S1	S2	G	H	B	I	W	Z	T	C	C0	(N)	Closed type	Open type
1"	25,4 UCP 205 CX	84535	84931	106	140	13	10	20	36,5	71,5	19,6	35	39	51,7	14000	7800	6900	80075	85202
1 1/4"	31,75 UCP 206 CX	84536	84932	121	163	13	10	20	43	84,5	20,7	36	41,7	55,7	19500	11300	9200	80011	85203

MATERIALS: Support made out of black or white colour PA+glass fiber; chrome steel or stainless steel bearing; greaser made out of nickel plated brass; reinforcement bushings, washers and safety ring made out of stainless steel AISI 304; gaskets made out of NBR rubber; cover made out of polypropylene, grey colour RAL 7042.

FEATURES: The difference from UCP/C series is lack of protection cover which can be ordered separately as an accessory. Assembly with shouldered and not shouldered shafts. Maximum shaft alignment error 2,5°.

BOX QUANTITY: 8 pieces.

ON REQUEST: Versions with body in polypropylene + glass fiber and antibacterial additive; protection cover in different colors and with customized brand; box quantity according to your request; Viton gaskets, "Long life" bearings.



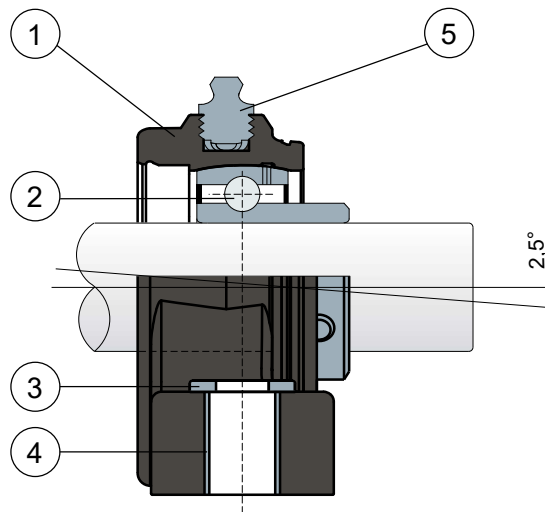
Pillow Blocks

Serie **UCP**



NEW
New product line with support body in PA white colour.

Without cover and back gasket



- 1) Support body made out of black or white polyamide reinforced with glass fibers.
- 2) Chrome steel or stainless steel bearing AISI 440.
- 3) UNI 6592 support washer made out of stainless steel AISI 304.
- 4) Spacer for fixing reinforcement made out of stainless steel AISI 304.
- 5) Greaser for relubrication made out of nickel-plated brass.

Support dimensions respect ISO 3228 set of rules.

Maximum shaft alignment error 2,5°.

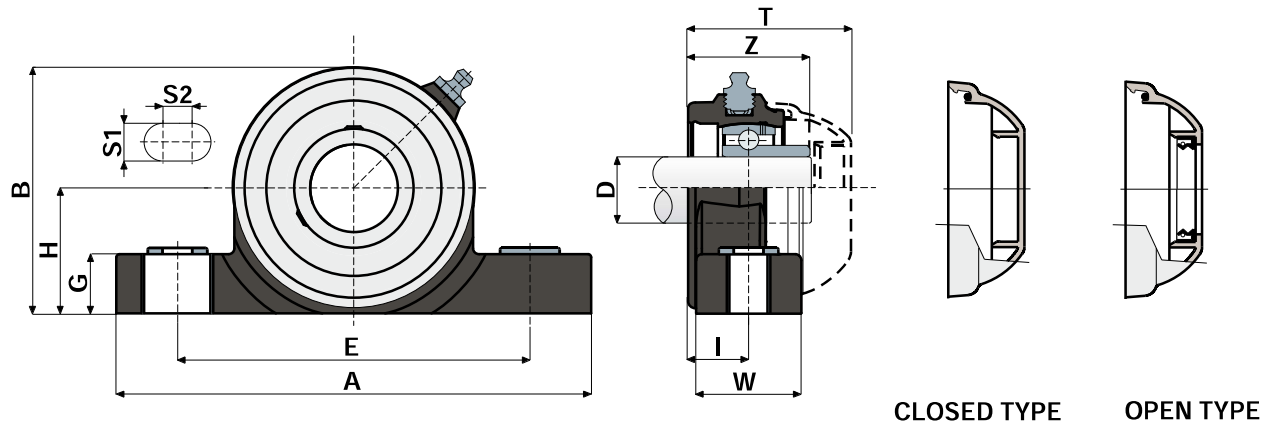
For further information please contact our technical office or sales department.



Pillow Blocks

Technical data

Serie **UCP**



CHROME STEEL BEARING																			
D	SERIE	Support CODES		DIMENSIONS (mm)										Bearing load (N)		Bearing support load	COVER CODES		
		Black colour	White colour	E	A	S1	S2	G	H	B	I	W	Z	T	C	C0	(N)	Closed type	Open type
20	UCP 204	84082	84782	96	130	13	10	20	33,5	65,5	18	30	36	49	12800	6600	5750	80254	80255
25	UCP 205	83691	84783	106	140	13	10	20	36,5	71,5	19,6	35	39	51,7	14000	7800	6900	80075	80076
30	UCP 206	83692	84784	121	163	13	10	20	43	84,5	20,7	36	41,7	55,7	19500	11300	9200	80011	80053
35	UCP 207	83693	84785	126	168	13	10	20	47,6	93,3	22,7	39	48	61,8	25500	15300	11500	80077	80078

STAINLESS STEEL BEARING AISI 440																			
D	SERIE	Support CODES		DIMENSIONS (mm)										Bearing load (N)		Bearing support load	COVER CODES		
		Black colour	White colour	E	A	S1	S2	G	H	B	I	W	Z	T	C	C0	(N)	Closed type	Open type
20	UCP 204	84083	84786	96	130	13	10	20	33,5	65,5	18	30	36	49	8300	6550	5750	80254	80255
25	UCP 205	83705	84787	106	140	13	10	20	36,5	71,5	19,6	35	39	51,7	9150	7800	6900	80075	80076
30	UCP 206	83706	84788	121	163	13	10	20	43	84,5	20,7	36	41,7	55,7	12500	11200	9200	80011	80053
35	UCP 207	83707	84789	126	168	13	10	20	47,6	93,3	22,7	39	48	61,8	16600	15300	11500	80077	80078

VERSIONS WITH MEASURES IN INCHES

CHROME STEEL BEARING																				
D (inches)	(mm)	SERIE	Support CODES		DIMENSIONS (mm)										Bearing load (N)		Bearing support load	COVER CODES		
			Black colour	White colour	E	A	S1	S2	G	H	B	I	W	Z	T	C	C0	(N)	Closed type	Open type
1"	25,4	UCP 205	84537	84936	106	140	13	10	20	36,5	71,5	19,6	35	39	51,7	14000	7800	6900	80075	85202
1 1/4"	31,75	UCP 206	84538	84937	121	163	13	10	20	43	84,5	20,7	36	41,7	19500	11300	9200	80011	85203	

MATERIALS: Support made out of black or white colour PA+glass fiber; chrome steel or stainless steel bearing; greaser made out of nickel plated brass; reinforcement bushings and washers made out of stainless steel AISI 304; cover made out of polypropylene, grey colour RAL 7042.
FEATURES: The difference from UCP/C series is lack of back gasket and protection covers, which can be ordered separately as accessories. Assembly with shouldered and not shouldered shafts. Maximum shaft alignment error 2,5°.
BOX QUANTITY: 8 pieces.
ON REQUEST: Versions with body in polypropylene + glass fiber and antibacterial additive; protection cover in different colors and with customized brand; box quantity according to your request; Viton gaskets, "Long life" bearings.